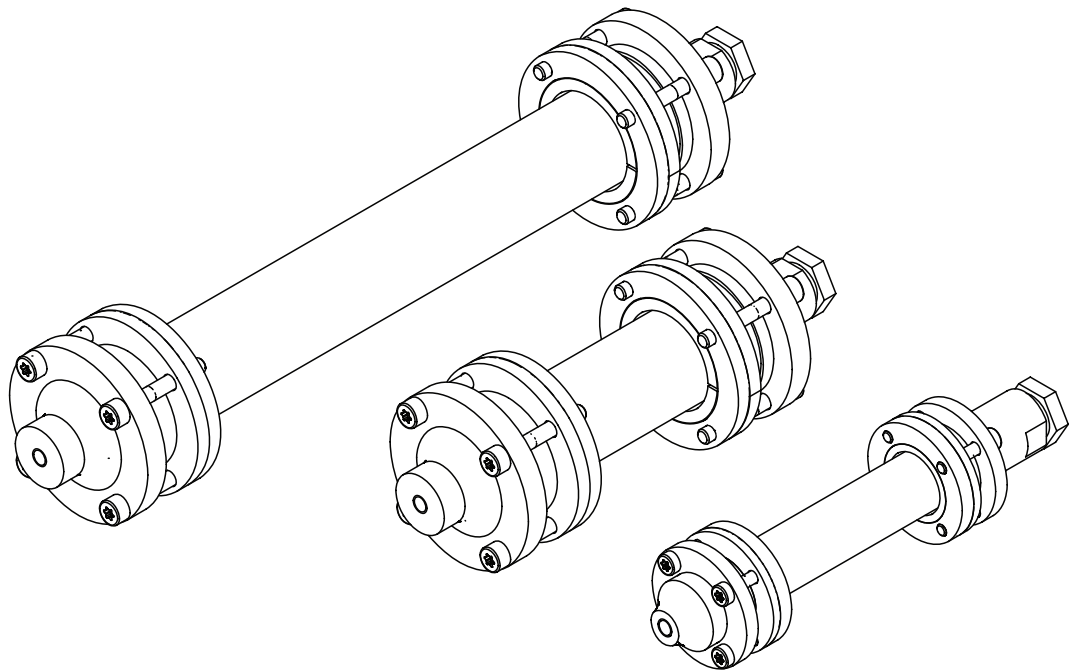




## GlasPure filling sets

### Quick guide

GlasPure columns can be filled with the appropriate adsorbent by the user himself. A homogeneously packed column is essential to obtaining a reliable and reproducible separation. GlasPure filling sets allow packing in a fast, safe and reproducible way.



## Dry filling sets

Special column for dry packing of GlasPure columns; serves as supply vessel for the packing and cannot be used for separations; ideal for silica gel in the size range 25 – 200 µm using compressed gas

	Order no.
Dry filling set for GlasPure ID 15-46 mm	044058
Adapter for dry filling set to fill GlasPure ID 70-100 mm	044059

## Technical data

### Dry filling set for GlasPure ID 15-46 mm

	Value
Max. pressure	10 bar 145 psi
Dimension of the glass tube (ID x lengths)	49 x 230 mm

### Adapter for dry filling set to fill GlasPure ID 70-100 mm

	Value
Max. pressure	10 bar 145 psi

## Installation

Materials needed:

- Separating column assembly
- Filling vessel assembly
- Adsorbent
- Nitrogen cylinder with pressure-relief valve
- Funnel

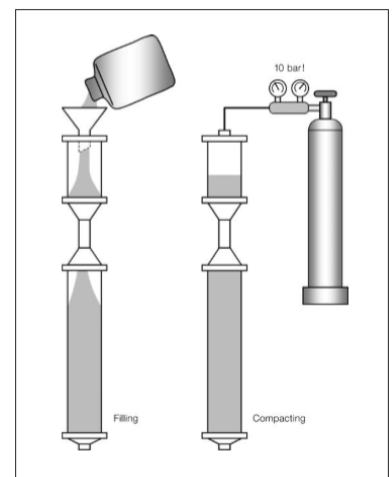


### NOTE

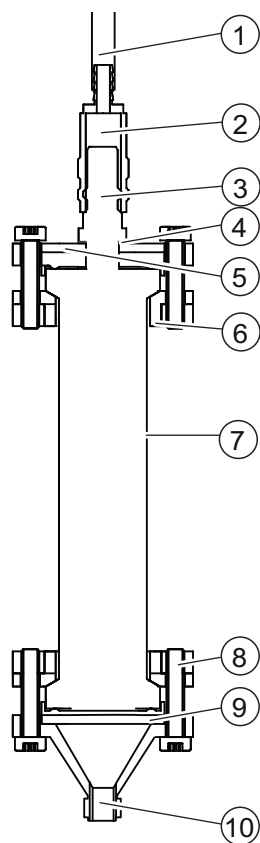
Never tap the column or cause vibrate. This would inevitable lead to separation of the particles and hence to useless column.

Procedure:

- ▶ Wash the column until clean and dry it completely.
- ▶ Check the frit in the bottom of the column.
- ▶ Check all connections.
- ▶ Clamp the column vertically.
- ▶ Screw the stock vessel with the seal on the column.
- ▶ Put the funnel on the column.
- ▶ Introduce the adsorbent loosely and make sure having 10 % present as an excess.
- ▶ Make sure that the pressure-relief valve is set at 10 bar.
- ▶ Make sure that the column outlet is open.
- ▶ Connect the nitrogen cylinder.
- ▶ Open the nitrogen.
- ▶ Blow nitrogen through the column until hissing is no longer audible.
- ▶ Proceed with equilibration of the cartridge.



## Spare parts dry filling set



- ① PVC hose
- ② Quick fitting (female)
- ③ Quick fitting (male)
- ④ Seal PTFE
- ⑤ Column cover
- ⑥ Ring nut
- ⑦ Glass tube
- ⑧ Cylinder head screw
- ⑨ Teflon seal
- ⑩ Column bottom

	Order no.
Quick fitting (female)	022353
Quick fitting (male)	022358
Seal PTFE	005155
Column cover	022356
Column bottom	020111
Teflon seal	017976
Glass tube	022745
Ring nut	017972
Cylinder head screw	010393
Tubing. Nyflflex, PVC-P, Ø8/14 mm, transparent, per m	004113

## Slurry Filling Set

Special column for slurry packing of GlasPure columns; serves as supply vessel for the packing and cannot be used for separations; ideal for silica gel particles smaller than 25 µm; all glass parts are plastic coated (P&G)

	Order no.
Slurry filling set for GlasPure ID 15-26 mm	044057
Slurry filling set for GlasPure ID 36-49 mm	044060

## Technical data

### Slurry filling set for GlasPure ID 15-26 mm

	Value
Max. pressure	33 bar 450 psi
Dimension of the glass tube (ID x lengths)	36 x 460

### Slurry filling set for GlasPure ID 36-49 mm

	Value
Max. pressure	20 bar 290 psi
Dimension of the glass tube (ID x lengths)	70 x 460

## Installation

Dimensions (L x ID) mm	Silica gel (g)	Slurry process (mL solvent)
460 x 26	150	300 - 600
460 x 36	270	500 - 900
460 x 49	470	800 - 1200
460 x 70	1000	2000 - 2500
230 x 26	75	150 - 300
230 x 36	135	250 - 450
230 x 49	235	400 - 600
230 x 70	500	1000 - 1250

### Materials needed:

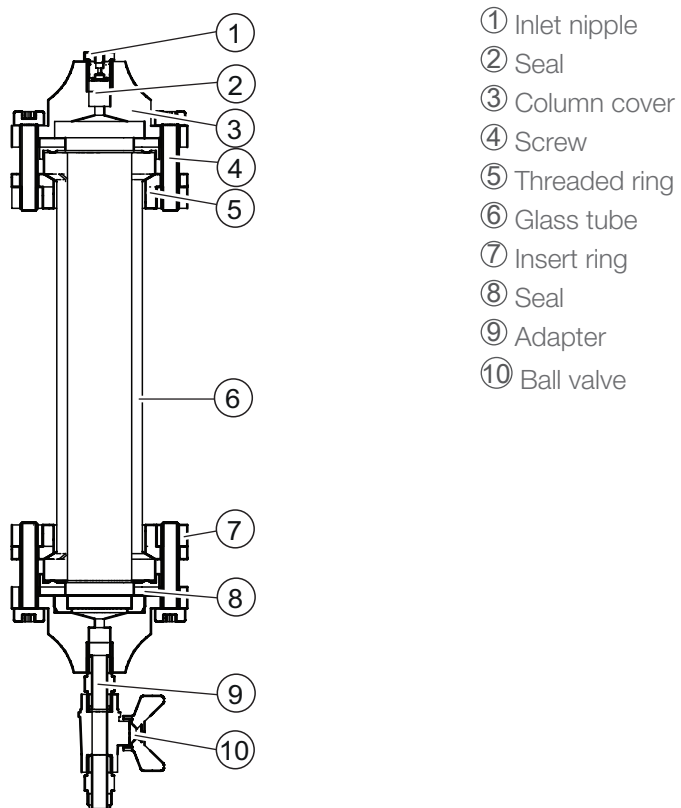
- Column assembly
- Slurry filling vessel
- Adsorbent
- Solvent
- Funnel, maximum outlet diameter 9.5 mm
- Beaker

### Procedure:

- ▶ Wash the column until clean and dry it completely.
- ▶ Check all connections and if necessary tighten them.
- ▶ Suspend silica gel in the mobile phase.
- ▶ Clamp the column vertically.
- ▶ Screw on the slurry into the column and filling vessel.
- ▶ Introduce the slurry into the column.
- ▶ Fill the vessel.
- ▶ Fill the filling vessel completely with solvent.
- ▶ Connect the column inlet to the pump.
- ▶ Start the pumping with a flow rate corresponding to the column size.
- ▶ Pump 1-2 column volumes of the mobile phase.
- ▶ Stop the pump.
- ▶ Close the stop cock.
- ▶ Unscrew the filling vessel.  
The column is ready for use.

## Spare parts

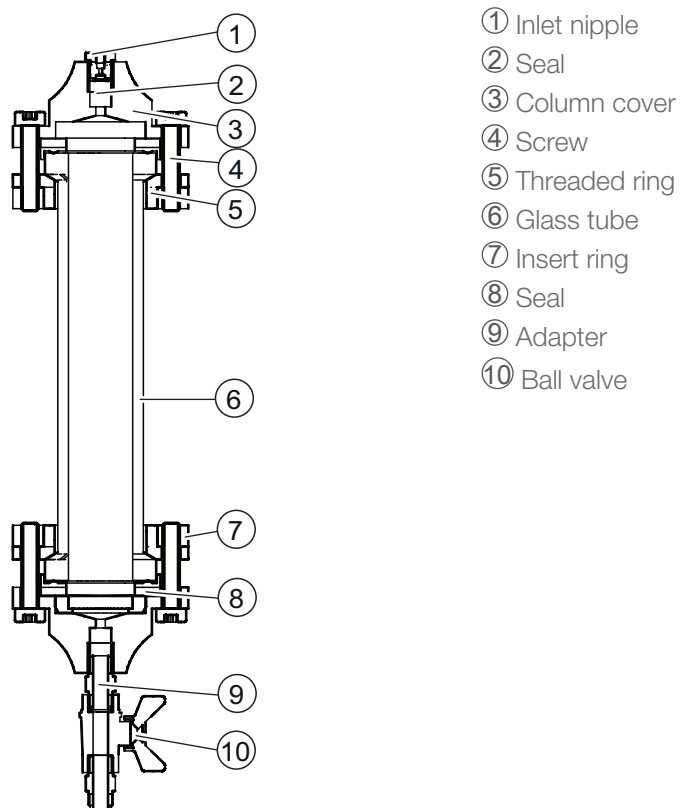
### Slurry filling set for GlasPure ID 15-26 mm



- ① Inlet nipple
- ② Seal
- ③ Column cover
- ④ Screw
- ⑤ Threaded ring
- ⑥ Glass tube
- ⑦ Insert ring
- ⑧ Seal
- ⑨ Adapter
- ⑩ Ball valve

	Order no.
Screw (Cyl. bolt Torx M5 x 35)	010395
Insert ring	017965
Threaded ring	017973
Seal	017977
Glass tube	017981
Inlet nipple	017984
Seal	044022
Column cover	019591
Ball valve	028272
Adapter (G 3/8" – M16x1)	028278

## Slurry filling set for GlasPure ID 36-49 mm



- ① Inlet nipple
- ② Seal
- ③ Column cover
- ④ Screw
- ⑤ Threaded ring
- ⑥ Glass tube
- ⑦ Insert ring
- ⑧ Seal
- ⑨ Adapter
- ⑩ Ball valve

	Order no.
Cylinder head screw	010393
Insert ring	017963
Threaded ring	017971
Seal	017975
Glass tube	017979
Inlet nipple	017984
Seal	044022
Column cover	019593
Ball valve	028272
Adapter (G 3/8" – M16x1)	028278