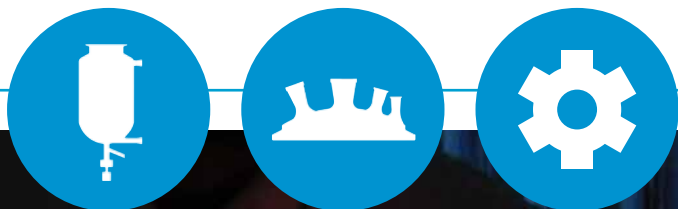


schmizo swiss
scientific
glass



REACTOR VESSELS &
ACCESSORIES 2018

He looks for challenges

Ernst Schneeberger

Owner and CEO

ernst.schneeberger@schmizo.ch

+41(0)62 789 60 52



He always finds a solution

Sacha Ruch

Sales manager and Technical consultant

sacha.ruch@schmizo.ch

+41(0)62 789 60 55



He knows every product

Markus Lippuner

Sales and Purchases

markus.lippuner@schmizo.ch

+41(0)62 789 60 54



She knows how it works

Lisa De Lucia

Administration and Accounting

lisa.delucia@schmizo.ch

+41(0)62 789 60 53



Schmizo Reactors Catalogue
Edition August 2016

Production/Layout
Markus Lippuner

Schmizo AG
Grünmattstrasse 4
4665 Oftringen/Switzerland

Phone +41 62 789 60 50
Fax +41 62 789 60 51

info@schmizo.ch
www.schmizo.ch

Table of Contents

Flat Flange Reactors & Lids

Click on the desired chapter to go to the corresponding page.

The blue arrows bring you back to the table of contents.

Example of a Reactor System	3
Flanges & Tempering Ports	4
Unjacketed Reaction Vessels	
Round Bottom Vessel, Cylindrical Shape	5
Round Bottom Vessel, Wide Shape	6
Reaction Vessel with Bottom Outlet	7
Flat Bottom Vessel, Cylindrical Shape	8
Flat Bottom Vessel, Wide Shape	9
Round Bottom Flask	10
Round Bottom Flask with Bottom Outlet	11
Vessel with Conical Bottom	12
Sulphonating Flask	13
Jacketed Reaction Vessels	
Jacketed Reaction Vessel with Round Bottom	14
Jacketed Reaction Vessel with Flat Bottom	16
Jacketed Reaction Vessel with Bottom Outlet	18
Jacketed Conical Reaction Vessel with Bottom Outlet	20
Jacketed Sulphonating Flask with Bottom Outlet	21
Triple-Walled Reaction Vessels	
Vacuum Jacketed Reaction Vessel with Bottom Outlet	22
Vacuum Jacketed Conical Reaction Vessel with Bottom Outlet	23
Column Extender	
Column Extender	24
Column Extender Jacketed	25
Jacketed Beaker	
Jacketed Beaker	26
Flat Flange Lids	
Flat Flange Lid DN 60	27
Flat Flange Lid DN 100	28
Flat Flange Lid DN 120	29
Flat Flange Lid DN 150	30
Flat Flange Lid DN 200	31
Seals and Holders for Flat Flanges	
O-Rings & Flat Seals	32

Table of Contents

Reactors Accessories

Click on the desired chapter to go to the corresponding page.

The blue arrows bring you back to the table of contents.

Reactor Holders	33
Bottom Discharge Valves	
Bottom Discharge Valve SCHMIZO	35
Equipment for Inlet/Outlet	
Hose Adapters	36
Seals, Metal Hoses	37
Adapters for Inlet/Outlet	38
Stirrer Shafts	
Glass Stirrer Shafts	39
Glass Stirrer Shafts with PTFE Blades	44
Stainless Steel Stirrer Shafts	47
BOLA PTFE Stirrer Shaftes	48
Stirrer Bearings	
Glass Stirrer Bearings	49
Srirrer Bearings with PTFE Guide	50
Mechanical Seals	53
Stirrer Couplings	
Stirrer Couplings	54
Stirrer motors	
CAT Stirrer Motors	55
Reactors Accessories	
Gas Inlet Tubes & Vacuum Pieces	56
Thermometer	57
Temperature Probes	58
Probe Cables & Tubes	60
Laboratory Racks	
Table & Wall Racks	61
Floor Standing Racks	62
Accessories	63
Technical Information	64
Products & Services Overview	65

SCHMIZO Reactor Systems: One Reactor System – Different Vessel Sizes

Features

- Volumes from 0.1 to 20 liters (other volumes on request)
- Available with single jacket and vacuum jacket
- Covers compatible with all reactor sizes
- Temperature range -80°C to $+200^{\circ}\text{C}$
(up to $+250^{\circ}\text{C}$ with special materials)
- Dry running mechanical seal (optionally with ceramic ball bearing for aggressive media). Vacuum proof 1mbar
- Innovative zero dead space bottom discharge valve

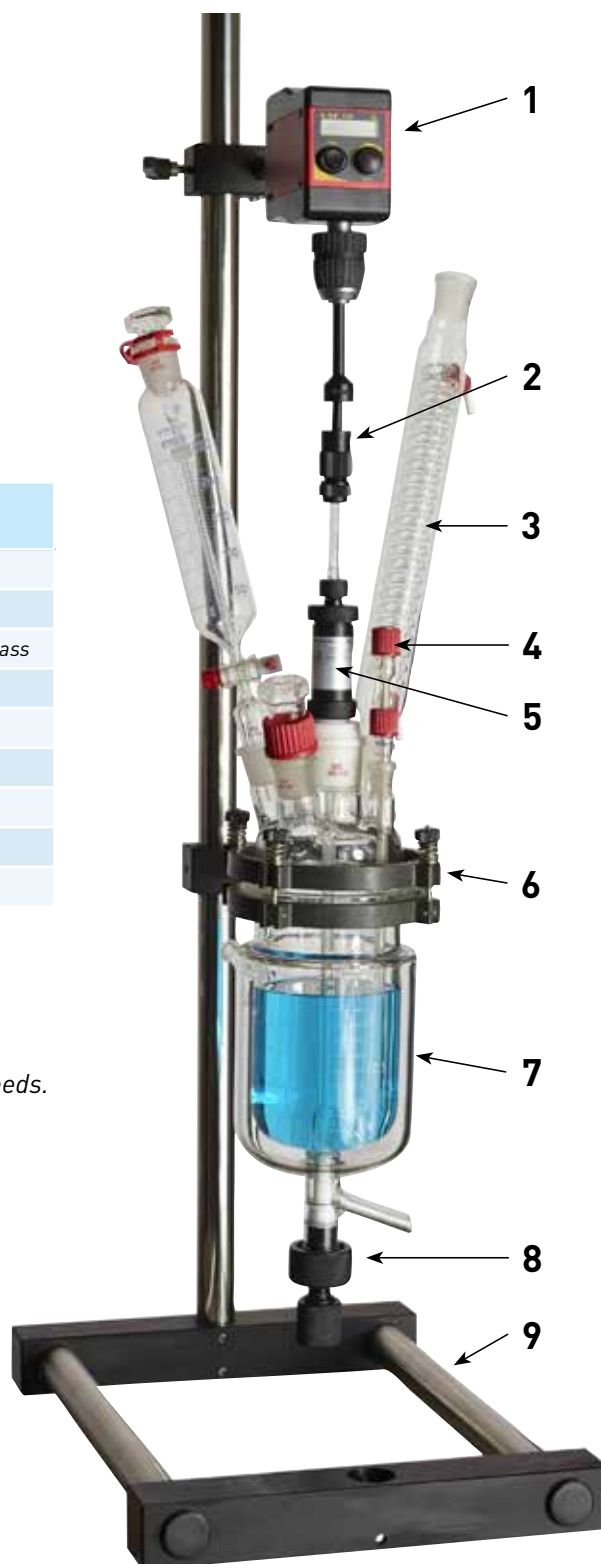
Main Components of Opposite Reactor System:

No.	Article No.	Article	Page
1	23.658.10	Stirrer motor CAT R20	55
2	23.656.45	BOLA globe stirrer coupling	54
3	21.275.30	Condenser, reflux, 300 mm *	<i>Laboratory glass</i>
4	40.430.55	Temperature probe Pt-100	58
5	23.623.24	Mechanical seal	53
6	12.344.37	Reactor holder type SCHMIZO	33
7	17.110.81	Reactor jacketed 1000 ml	18
8	17.940.10	Bottom discharge valve 10 mm	35
9	50.000.10	Laboratory rack **	61

* Find all additional accessories as condensers, coolers etc. in our Laboratory Glassware catalogue.

** This kind of rack is only available with oblique foot.

We will be pleased to make you an offer that corresponds to your needs.

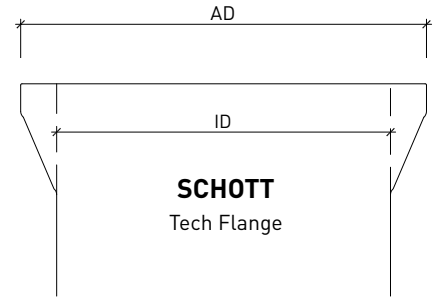
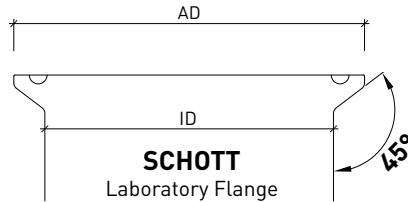
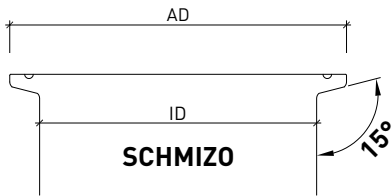


17.521.81



17.500.81

Flat Flanges



SCHMIZO Flat Flange

DN	ID mm	AD mm
60	68	98
100	105	137
120	120	150
150	150	184

SCHOTT Laboratory Flange

DN	ID mm	AD mm
60	59	100
100	96	138
120	118	158
150	141	184
200	199	242

SCHOTT Tech Flange

DN	ID mm	AD mm
200	200	242
300	300	340

Tolerances by analogy to DURAN glass tubes.

DN = nominal width, ID = inner diameter, AD = outer diameter

Tempering Ports

AD = outer diameter, ID = inner diameter



Flat Flange / KF3

DN	ID mm	AD mm
15	15	28.6
25	25	42.2
40	40	57.4
50	50	70

Spherical Joints (KS)

KS	DN mm	AD mm
19/9	9	19
29/15	15	29

Other sizes by request

Srewthread Tube

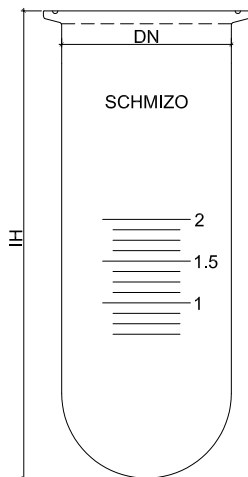
Type	ID mm	AD mm
GL14	9	12
GL18	12.4	16
GL25	18.4	22
SVL15	12.4	16
SVL22	18.4	22

Other sizes by request

On request also available with hose connections (AD 6 - 12 mm). All other kinds of flanges or connection systems by request.

Round Bottom Vessel, Cylindrical Shape

Reaction vessel, cylindrical shape, round bottom, flat flange SCHMIZO with a groove



SCHMIZO Flat Flange

DN = Diameter nominal

All reaction vessels are also available with „SCHOTT“ flange (DURAN laboratory flange): Please add „S“ at the end of the article number. Size DN 200 is only available with SCHOTT-flange.

Cylindrical Shape

The inner diameter is equal to the vessel opening.

Article No.	Volume ml	DN	IH mm	ID mm	Valve Bore	
16.100.55	100	60	60	69	-	
16.100.63	200	60	105	69	-	
16.100.65	250	60	120	69	-	
16.100.67	300	60	145	69	-	
16.100.70	350	60	160	69	-	
16.100.73	500	60	200	69	-	
16.110.65	250	100	85	105	-	
16.110.73	500	100	135	105	-	
16.110.79	750	100	175	105	-	
16.110.81	1000	100	205	105	-	
16.110.85	1500	100	255	105	-	
16.110.87	2000	100	315	105	-	
16.120.73	500	120	120	120	-	
16.120.79	750	120	150	120	-	
16.120.81	1000	120	175	120	-	
16.120.85	1500	120	210	120	-	
16.120.87	2000	120	270	120	-	
16.120.88	2500	120	250	120	-	
16.130.81	1000	150	130	150	-	
16.130.85	1500	150	180	150	-	
16.130.87	2000	150	210	150	-	
16.130.88	2500	150	250	150	-	
16.130.89	3000	150	290	150	-	
16.132.94S	5000	200	260	200	-	
16.132.95S	6000	200	305	200	-	
16.132.96S	10000	200	420	200	-	
16.132.97S	15000	200	590	200	-	
16.132.98S	20000	200	770	200	-	

DN 60

DN 100

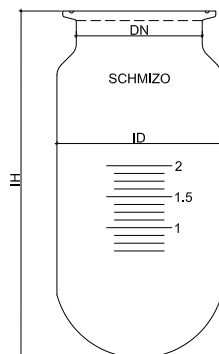
DN 120

DN 150

DN 200

Round Bottom Vessel, Wide Shape

Reaction vessel, wide shape, round bottom, flat flange SCHMIZO with a groove



SCHMIZO Flat Flange

DN = Diameter nominal

All reaction vessels are also available with „SCHOTT“ flange (DURAN laboratory flange): Please add „S“ at the end of the article number. Size DN 200 is only available with SCHOTT-flange.

Wide Shape

The inner diameter of the vessel is bigger than the vessel opening.

Article No.	Volume ml	DN	IH mm	ID mm	Valve Bore	
16.600.73	500	60	120	105	-	
16.600.79	750	60	160	105	-	
16.600.81	1000	60	190	105	-	

DN 60

16.610.85	1500	100	230	120	-	
16.610.87	2000	100	290	120	-	
16.610.88	2500	100	230	160	-	
16.610.89	3000	100	260	160	-	
16.610.92	4000	100	300	160	-	
16.610.94	5000	100	300	180	-	
16.610.95	6000	100	350	180	-	
16.610.96	10000	100	350	240	-	
16.610.97	15000	100	490	240	-	
16.610.98	20000	100	535	260	-	

DN 100

16.620.89	3000	120	260	160	-	
16.620.92	4000	120	300	160	-	
16.620.94	5000	120	300	180	-	
16.620.95	6000	120	350	180	-	
16.620.96	10000	120	350	240	-	
16.620.97	15000	120	490	240	-	
16.620.98	20000	120	535	260	-	

DN 120

16.630.89	3000	150	260	160	-	
16.630.92	4000	150	300	160	-	
16.630.94	5000	150	310	180	-	
16.630.95	6000	150	350	180	-	
16.630.96	10000	150	350	240	-	
16.630.97	15000	150	490	240	-	
16.630.98	20000	150	535	260	-	

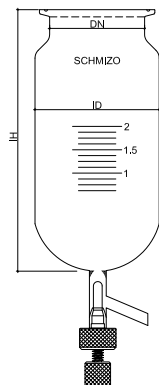
DN 150

16.631.94S	5000	200	310	200	-	
16.631.95S	6000	200	345	200	-	
16.631.96S	10000	200	390	240	-	
16.631.97S	15000	200	460	260	-	
16.631.98S	20000	200	550	260	-	

DN 200

Reaction Vessel with Bottom Outlet

Reaction vessel flat flange SCHMIZO with a groove, round bottom, bottom outlet with discharge valve type SCHMIZO, serial numbered



SCHMIZO Flat Flange

DN = Diameter nominal

All reaction vessels are also available with „SCHOTT“ flange (DURAN laboratory flange): Please add „S“ at the end of the article number. Size DN 200 is only available with SCHOTT-flange.

Discharge Valve SCHMIZO

Product information: see additional brochure.

Side Arm

On request with hose nozzle, spherical joint or GL/SVL thread on the pipe available.

Article No.	Volume ml	DN	IH mm	ID mm	Valve Bore
16.602.74	500	60	120	105	10mm
16.602.79	750	60	160	105	10mm
16.602.81	1000	60	190	105	10mm

DN 60 / 10 mm

16.612.85	1500	100	230	120	10mm
16.612.87	2000	100	290	120	10mm
16.612.88	2500	100	230	160	10mm
16.612.89	3000	100	260	160	10mm
16.612.92	4000	100	300	160	10mm
16.612.94	5000	100	300	180	10mm
16.612.95	6000	100	350	180	10mm
16.612.96	10000	100	350	240	16mm
16.612.97	15000	100	490	240	16mm
16.612.98	20000	100	535	260	16mm

DN 100 / 10 mm

DN 100 / 16 mm

16.622.89	3000	120	260	160	10mm
16.622.92	4000	120	300	160	10mm
16.622.94	5000	120	300	180	10mm
16.622.95	6000	120	350	180	10mm
16.622.96	10000	120	350	240	16mm
16.622.97	15000	120	490	240	16mm
16.622.98	20000	120	535	260	16mm

DN 120 / 10 mm

DN 120 / 16 mm

16.632.89	3000	150	230	160	10mm
16.632.92	4000	150	300	160	10mm
16.632.94	5000	150	300	180	10mm
16.632.95	6000	150	350	180	10mm
16.632.96	10000	150	350	240	16mm
16.632.97	15000	150	490	240	16mm
16.632.98	20000	150	535	260	16mm

DN 150 / 10 mm

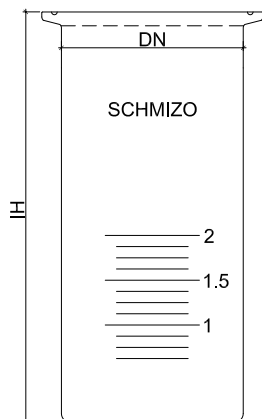
DN 150 / 16 mm

16.633.94S	5000	200	310	200	16mm
16.633.95S	6000	200	345	200	16mm
16.633.96S	10000	200	390	240	16mm
16.633.97S	15000	200	460	260	16mm
16.633.98S	20000	200	550	260	16mm

DN 200 / 16 mm

Flat Bottom Vessel, Cylindrical Shape

Reaction vessel, cylindrical shape, flat bottom, flat flange SCHMIZO with a groove



SCHMIZO Flat Flange

DN = Diameter nominal

All reaction vessels are also available with „SCHOTT“ flange (DURAN laboratory flange): Please add „S“ at the end of the article number. Size DN 200 is only available with SCHOTT-flange.

Cylindrical Shape

The inner diameter is equal to the vessel opening.

Article No.	Volume ml	DN	IH mm	ID mm	Valve Bore	
16.200.55	100	60	45	69	-	
16.200.63	200	60	90	69	-	
16.200.65	250	60	105	69	-	
16.200.67	300	60	130	69	-	
16.200.70	350	60	145	69	-	
16.200.73	500	60	195	69	-	
16.200.79	750	60	290	69	-	
16.200.81	1000	60	390	69	-	

DN 60

16.210.65	250	100	60	105	-	
16.210.73	500	100	110	105	-	
16.210.79	750	100	150	105	-	
16.210.81	1000	100	180	105	-	
16.210.85	1500	100	230	105	-	
16.210.87	2000	100	290	105	-	

DN 100

16.220.73	500	120	90	120	-	
16.220.79	750	120	120	120	-	
16.220.81	1000	120	145	120	-	
16.220.85	1500	120	190	120	-	
16.220.87	2000	120	240	120	-	
16.220.88	2500	120	250	120	-	

DN 120

16.230.81	1000	150	90	150	-	
16.230.85	1500	150	140	150	-	
16.230.87	2000	150	170	150	-	
16.230.88	2500	150	210	150	-	
16.230.89	3000	150	250	150	-	

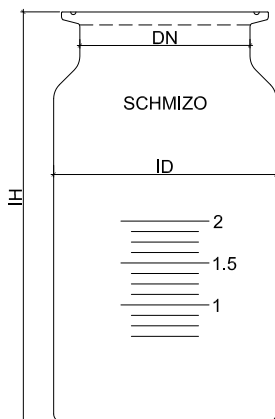
DN 150

16.232.94S	5000	200	240	200	-	
16.232.95S	6000	200	285	200	-	
16.232.96S	10000	200	400	200	-	
16.232.97S	15000	200	570	200	-	
16.232.98S	20000	200	750	200	-	

DN 200

Flat Bottom Vessel, Wide Shape

Reaction vessel, wide shape, flat bottom, flat flange SCHMIZO with a groove



SCHMIZO Flat Flange

DN = Diameter nominal

All reaction vessels are also available with „SCHOTT“ flange (DURAN laboratory flange): Please add „S“ at the end of the article number. Size DN 200 is only available with SCHOTT-flange.

Wide Shape

The inner diameter of the vessel is bigger than the vessel opening.

Article No.	Volume ml	DN	IH mm	ID mm	Valve Bore	
16.700.73	500	60	120	105	-	
16.700.79	750	60	160	105	-	
16.700.81	1000	60	190	105	-	
16.710.85	1500	100	230	120	-	
16.710.87	2000	100	290	120	-	
16.710.88	2500	100	230	160	-	
16.710.89	3000	100	260	160	-	
16.710.92	4000	100	300	160	-	
16.710.94	5000	100	323	180	-	
16.710.96	10000	100	380	220	-	
16.710.97	15000	100	410	260	-	
16.710.98	20000	100	500	280	-	
16.720.89	3000	120	260	160	-	
16.720.92	4000	120	300	160	-	
16.720.94	5000	120	323	180	-	
16.720.96	10000	120	380	220	-	
16.720.97	15000	120	410	260	-	
16.720.98	20000	120	500	280	-	
16.730.89	3000	150	260	160	-	
16.730.92	4000	150	300	160	-	
16.730.94	5000	150	323	180	-	
16.730.96	10000	150	380	220	-	
16.730.97	15000	150	410	260	-	
16.730.98	20000	150	500	280	-	
16.731.96S	10000	200	380	220	-	
16.731.97S	15000	200	410	260	-	
16.731.98S	20000	200	500	280	-	

DN 60

DN 100

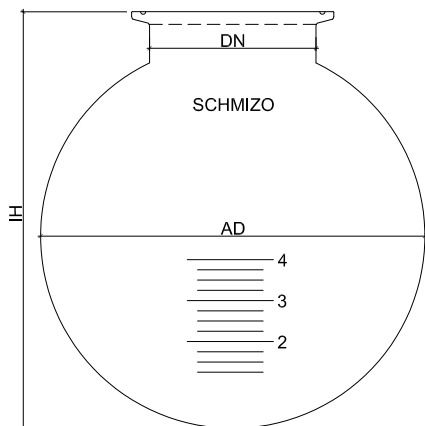
DN 120

DN 150

DN 200

Round Bottom Flask

Reaction vessel, round bottom flask, flat flange SCHMIZO with a groove



SCHMIZO Flat Flange

DN = Diameter nominal

All reaction vessels are also available with „SCHOTT“ flange (DURAN laboratory flange): Please add „S“ at the end of the article number. Size DN 200 is only available with SCHOTT-flange.

Article No.	Volume ml	DN	IH mm	ID mm	Valve Bore	
16.300.73	500	60	150	105	-	
16.300.81	1000	60	180	131	-	
16.300.87	2000	60	210	166	-	
16.310.81	1000	100	145	131	-	
16.310.87	2000	100	220	166	-	
16.310.89	3000	100	240	185	-	
16.310.92	4000	100	260	206	-	
16.310.94	5000	100	275	223	-	
16.310.95	6000	100	290	236	-	
16.310.96	10000	100	315	279	-	
16.320.87	2000	120	220	166	-	
16.320.89	3000	120	240	185	-	
16.320.92	4000	120	260	206	-	
16.320.94	5000	120	275	223	-	
16.320.95	6000	120	290	236	-	
16.320.96	10000	120	315	279	-	
16.330.89	3000	150	240	185	-	
16.330.92	4000	150	260	206	-	
16.330.94	5000	150	275	223	-	
16.330.95	6000	150	290	236	-	
16.330.96	10000	150	315	279	-	
16.340.96S	10000	200	360	279	-	
16.340.98S	20000	200	420	345	-	

DN 60

DN 100

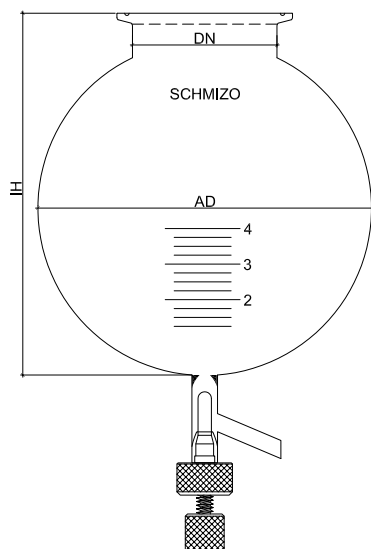
DN 120

DN 150

DN 200

Round Bottom Flask with Bottom Outlet

Reaction vessel, round bottom flask, flat flange SCHMIZO with a groove, bottom outlet with discharge valve type SCHMIZO



SCHMIZO Flat Flange

DN = Diameter nominal

All reaction vessels are also available with „SCHOTT“ flange (DURAN laboratory flange): Please add „S“ at the end of the article number. Size DN 200 is only available with SCHOTT-flange.

Side Arm

On request with hose nozzle, spherical joint or GL/SVL thread on the pipe available.

Discharge Valve SCHMIZO

Product information: see additional brochure.

Article No.	Volume ml	DN	IH mm	ID mm	Valve Bore	
16.302.74	500	60	150	105	10mm	
16.302.81	1000	60	180	131	10mm	
16.302.87	2000	60	210	166	10mm	

DN 60 / 10 mm

16.312.81	1000	100	190	131	10mm	
16.312.87	2000	100	220	166	10mm	
16.312.89	3000	100	240	185	10mm	
16.312.92	4000	100	260	206	10mm	
16.312.94	5000	100	275	223	10mm	
16.312.95	6000	100	290	236	10mm	
16.312.96	10000	100	340	279	16mm	

DN 100 / 10 mm

DN 100 / 16 mm

16.322.87	2000	120	220	166	10mm	
16.322.89	3000	120	240	185	10mm	
16.322.92	4000	120	260	206	10mm	
16.322.94	5000	120	275	223	10mm	
16.322.95	6000	120	290	236	10mm	
16.322.96	10000	120	340	279	16mm	

DN 120 / 16 mm

DN 120 / 16 mm

16.332.89	3000	150	240	185	10mm	
16.332.92	4000	150	260	206	10mm	
16.332.94	5000	150	275	223	10mm	
16.332.95	6000	150	290	236	10mm	
16.332.96	10000	150	340	279	16mm	

DN 150 / 10 mm

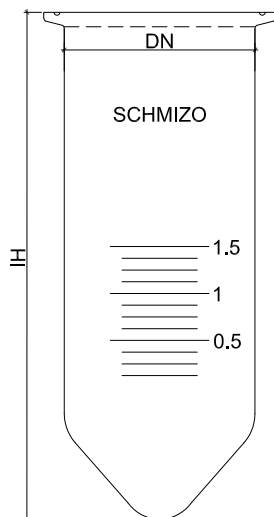
DN 150 / 16 mm

16.342.96S	10000	200	360	279	16mm	
16.342.98S	20000	200	420	345	16mm	

DN 200 / 16 mm

Vessel with Conical Bottom

Reaction vessel, cylindrical shape, conical bottom, flat flange SCHMIZO with a groove



SCHMIZO Flat Flange

DN = Diameter nominal

All reaction vessels are also available with „SCHOTT“ flange (DURAN laboratory flange): Please add „S“ at the end of the article number. Size DN 200 is only available with SCHOTT-flange.

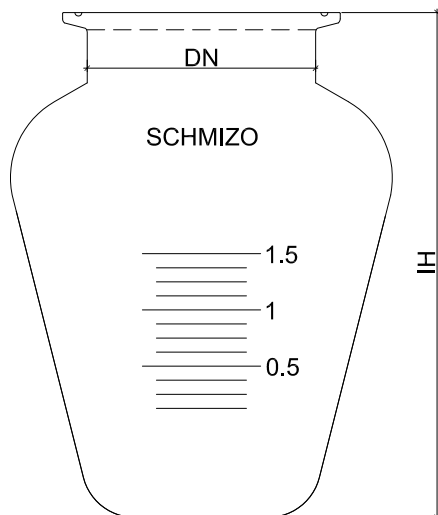
Article No.	Volume ml	DN	IH mm	ID mm	Valve Bore	
16.400.55	100	60	70	69	-	
16.400.63	200	60	105	69	-	
16.400.65	250	60	120	69	-	
16.400.67	300	60	145	69	-	
16.400.70	350	60	160	69	-	
16.400.73	500	60	210	69	-	
16.410.65	250	100	90	105	-	
16.410.73	500	100	130	105	-	
16.410.79	750	100	170	105	-	
16.410.81	1000	100	200	105	-	
16.410.85	1500	100	250	105	-	

DN 60

DN 100

Sulphonating Flask

Reaction vessel, sulphonating flask shape, flat flange SCHMIZO with a groove



SCHMIZO Flat Flange

DN = Diameter nominal

All reaction vessels are also available with „SCHOTT“ flange (DURAN laboratory flange): Please add „S“ at the end of the article number. Size DN 200 is only available with SCHOTT-flange.

Article No.	Volume ml	DN	IH mm	ID mm	Valve Bore	
16.500.70	350	60	120		-	
16.500.73	500	60	150		-	
16.500.79	750	60	170		-	
16.500.85	1500	60	195		-	
16.510.85	1500	100	195		-	
16.510.88	2500	100	225		-	
16.510.93	4500	100	260		-	
16.520.88	2500	120	225		-	
16.520.93	4500	120	260		-	
16.530.93	4500	150	260		-	

DN 60

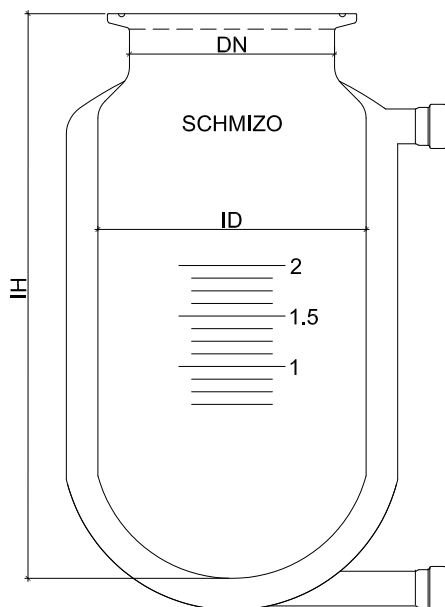
DN 100

DN 120

DN 150

Jacketed Reaction Vessel with Round Bottom

Reaction vessel, jacketed, flat flange SCHMIZO with a groove, round bottom, inlet/outlet flat flange DN 15, serial numbered



SCHMIZO Flat Flange

DN = Diameter nominal

All reaction vessels are also available with „SCHOTT“ flange (DURAN laboratory flange): Please add „S“ at the end of the article number. Size DN 200 is only available with SCHOTT-flange.

Inlet/Outlet

Flat flange DN 15

On request also available with spherical joints, GL or SVL threads.

Article No.	Volume ml	DN	IH mm	ID mm	Valve Bore	
17.300.55	100	60	95	65	-	
17.300.65	250	60	155	65	-	
17.300.70	350	60	195	65	-	
17.300.73	500	60	250	65	-	
17.300.74	500	60	190	85	-	
17.300.79	750	60	185	105	-	
17.300.81	1000	60	210	105	-	

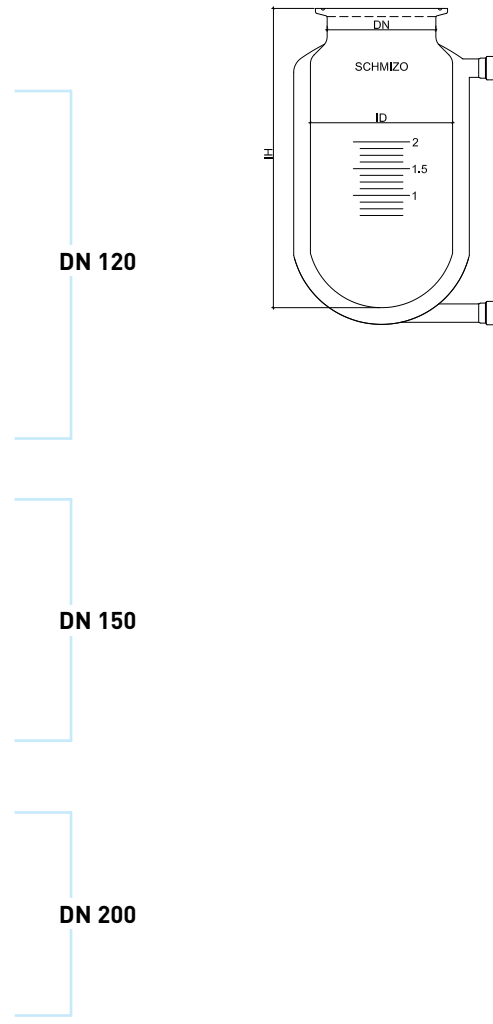
DN 60

17.310.73	500	100	150	105	-	
17.310.79	750	100	190	105	-	
17.310.81	1000	100	210	105	-	
17.310.85	1500	100	230	120	-	
17.310.87	2000	100	205	160	-	
17.310.88	2500	100	230	160	-	
17.310.89	3000	100	260	160	-	
17.310.92	4000	100	300	160	-	
17.310.94	5000	100	300	180	-	
17.310.95	6000	100	350	180	-	
17.310.96	10000	100	350	240	-	
17.310.97	15000	100	490	240	-	
17.310.98	20000	100	535	260	-	

DN 100

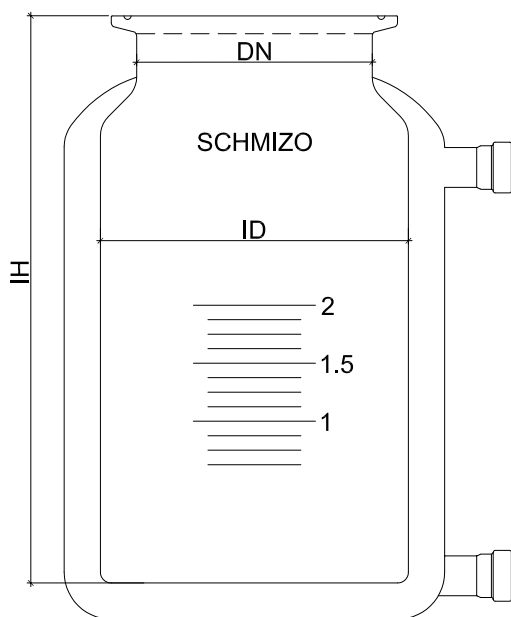
Jacketed Reaction Vessel with Round Bottom (Continuation)

Article No.	Volume ml	DN	IH mm	ID mm	Valve Bore	
17.320.81	1000	120	180	120	-	
17.320.85	1500	120	230	120	-	
17.320.87	2000	120	290	120	-	
17.320.88	2500	120	230	160	-	
17.320.89	3000	120	260	160	-	
17.320.92	4000	120	300	160	-	
17.320.94	5000	120	300	180	-	
17.320.95	6000	120	350	180	-	
17.320.96	10000	120	350	240	-	
17.320.97	15000	120	490	240	-	
17.320.98	20000	120	535	260	-	
17.330.88	2500	150	230	160	-	
17.330.89	3000	150	260	160	-	
17.330.92	4000	150	300	160	-	
17.330.94	5000	150	310	180	-	
17.330.95	6000	150	350	180	-	
17.330.96	10000	150	350	240	-	
17.330.97	15000	150	490	240	-	
17.330.98	20000	150	535	260	-	
17.331.94S	5000	200	310	200	-	
17.331.95S	6000	200	345	200	-	
17.331.96S	10000	200	470	200	-	
17.332.96S	10000	200	390	240	-	
17.332.97S	15000	200	460	260	-	
17.332.98S	20000	200	550	260	-	



Jacketed Reaction Vessel with Flat Bottom

Reaction vessel, jacketed, flat flange SCHMIZO with a groove, flat bottom, inlet/outlet flat flange DN 15, serial numbered



SCHMIZO Flat Flange

DN = Diameter nominal

All reaction vessels are also available with „SCHOTT“ flange (DURAN laboratory flange): Please add „S“ at the end of the article number. Size DN 200 is only available with SCHOTT-flange.

Inlet/Outlet

Flat flange DN 15

On request also available with spherical joints, GL or SVL threads.

Article No.	Volume ml	DN	IH mm	ID mm	Valve Bore	
17.200.55	100	60	85	65	-	
17.200.65	250	60	145	65	-	
17.200.70	350	60	185	65	-	
17.200.73	500	60	240	65	-	
17.200.74	500	60	185	85	-	
17.200.79	750	60	165	105	-	
17.200.81	1000	60	190	105	-	
17.210.73	500	100	125	105	-	
17.210.79	750	100	165	105	-	
17.210.81	1000	100	200	105	-	
17.210.85	1500	100	230	120	-	
17.210.87	2000	100	175	160	-	
17.210.88	2500	100	205	160	-	
17.210.89	3000	100	230	160	-	
17.210.92	4000	100	290	160	-	
17.210.94	5000	100	285	180	-	
17.210.95	6000	100	335	200	-	
17.210.96	10000	100	380	220	-	
17.210.97	15000	100	410	260	-	
17.210.98	20000	100	500	280	-	

DN 60

DN 100

Jacketed Reaction Vessel with Flat Bottom (Continuation)

Article No.	Volume ml	DN	IH mm	ID mm	Valve Bore	
17.220.81	1000	120	170	120	-	
17.220.85	1500	120	220	120	-	
17.220.87	2000	120	275	120	-	
17.220.88	2500	120	205	160	-	
17.220.89	3000	120	230	160	-	
17.220.92	4000	120	290	160	-	
17.220.94	5000	120	285	180	-	
17.220.95	6000	120	335	200	-	
17.220.96	10000	120	380	220	-	
17.220.97	15000	120	410	260	-	
17.220.98	20000	120	500	280	-	
17.230.88	2500	150	200	160	-	
17.230.89	3000	150	230	160	-	
17.230.92	4000	150	290	160	-	
17.230.94	5000	150	290	180	-	
17.230.95	6000	150	335	200	-	
17.230.96	10000	150	380	220	-	
17.230.97	15000	150	410	260	-	
17.230.98	20000	150	500	280	-	
17.231.94S	5000	200	260	180	-	
17.231.95S	6000	200	335	200	-	
17.231.96S	10000	200	450	220	-	
17.232.96S	10000	200	380	240	-	
17.232.97S	15000	200	410	260	-	
17.232.98S	20000	200	500	280	-	

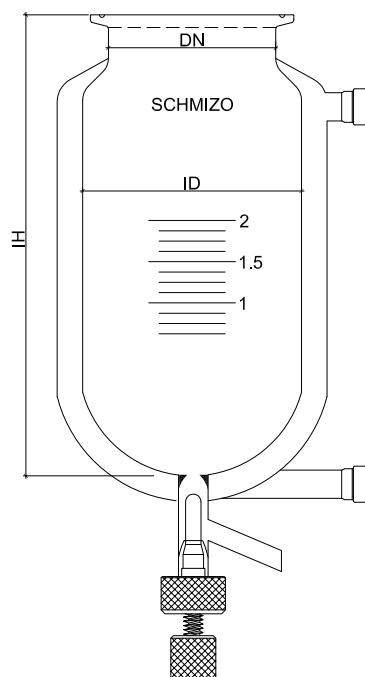
DN 120

DN 150

DN 200

Jacketed Reaction Vessel with Bottom Outlet

Reaction vessel, jacketed, flat flange SCHMIZO with a groove, round bottom, inlet/outlet flat flange DN 15, bottom outlet with discharge valve type SCHMIZO, serial numbered



SCHMIZO Flat Flange

DN = Diameter nominal

All reaction vessels are also available with „SCHOTT“ flange (DURAN laboratory flange): Please add „S“ at the end of the article number. Size DN 200 is only available with SCHOTT-flange.

Inlet/Outlet

Flat flange DN 15

On request also available with spherical joints, GL or SVL threads.

Side Arm

On request with hose nozzle, spherical joint or GL/SVL thread on the pipe available.

Discharge-Valve SCHMIZO

Product information: see additional brochure

Article No.	Volume ml	DN	IH mm	ID mm	Valve bore
17.105.55	100	60	95	65	10mm
17.105.65	250	60	155	65	10mm
17.105.70	350	60	195	65	10mm
17.105.73	500	60	250	65	10mm
17.105.74	500	60	190	85	10mm
17.100.79	750	60	185	105	10mm
17.100.81	1'000	60	210	105	10mm

DN 60 / 10 mm

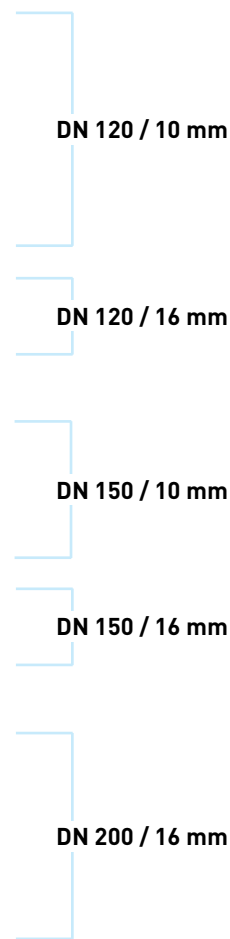
17.110.73	500	100	150	105	10mm
17.110.79	750	100	190	105	10mm
17.110.81	1'000	100	210	105	10mm
17.110.85	1'500	100	210	120	10mm
17.110.86	2'000	100	280	120	10mm
17.110.87	2'000	100	205	160	10mm
17.110.88	2'500	100	230	160	10mm
17.110.89	3'000	100	260	160	10mm
17.110.92	4'000	100	290	160	10mm
17.110.94	5'000	100	290	180	10mm
17.110.95	6'000	100	335	180	10mm
17.110.96	10'000	100	340	240	16mm
17.110.97	15'000	100	450	240	16mm
17.110.98	20'000	100	520	260	16mm

DN 100 / 10 mm

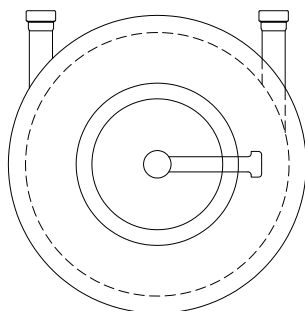
DN 100 / 16 mm

Jacketed Reaction Vessel with Bottom Outlet (Continuation)

Article No.	Volume ml	DN	IH mm	ID mm	Valve Bore	
17.120.81	1'000	120	180	120	10mm	
17.120.85	1'500	120	220	120	10mm	
17.120.87	2'000	120	280	120	10mm	
17.120.88	2'500	120	230	160	10mm	
17.120.89	3'000	120	260	160	10mm	
17.120.92	4'000	120	290	160	10mm	
17.120.94	5'000	120	310	180	10mm	
17.120.95	6'000	120	335	180	10mm	
17.120.96	10'000	120	350	240	16mm	
17.120.97	15'000	120	450	240	16mm	
17.120.98	20'000	120	520	260	16mm	
17.130.88	2'500	150	230	160	10mm	
17.130.89	3'000	150	260	160	10mm	
17.130.92	4'000	150	290	160	10mm	
17.130.94	5'000	150	310	180	10mm	
17.130.95	6'000	150	335	180	10mm	
17.130.96	10'000	150	350	240	16mm	
17.130.97	15'000	150	450	240	16mm	
17.130.98	20'000	150	520	260	16mm	
17.132.94S	5'000	200	260	200	16mm	
17.132.95S	6'000	200	360	200	16mm	
17.132.96S	10'000	200	480	200	16mm	
17.133.96S	10'000	200	360	240	16mm	
17.133.97S	15'000	200	460	260	16mm	
17.133.98S	20'000	200	550	260	16mm	



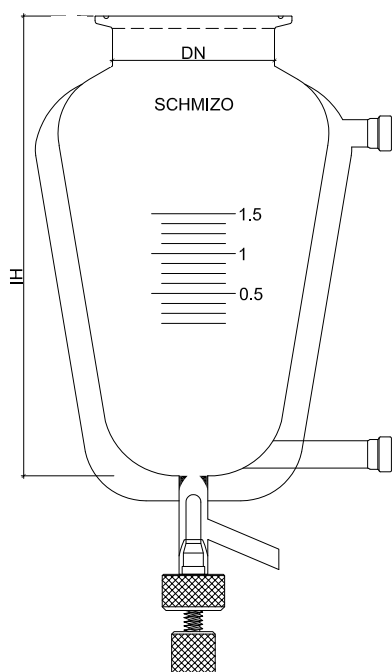
On request all articles are also available with valve bore 20 mm.



Top view: Inlet/outlet backwards, side arm rightwards. On request we can customize this arrangement.

Jacketed Reaction Vessel, Conical Shape, with Bottom Outlet

Reaction vessel conical shape, jacketed, flat flange SCHMIZO with a groove, round bottom, inlet/outlet flat flange DN 15, bottom outlet with discharge valve type SCHMIZO, serial numbered



SCHMIZO Flat Flange

DN = Diameter nominal

All reaction vessels are also available with „SCHOTT“ flange (DURAN laboratory flange): Please add „S“ at the end of the article number. Size DN 200 is only available with SCHOTT-flange.

Inlet/Outlet

Flat flange DN 15

On request also available with spherical joints, GL or SVL threads

Side Arm

On request with hose nozzle, spherical joint or GL/SVL thread on the pipe available.

Discharge-valve SCHMIZO

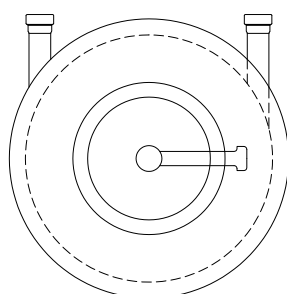
Product information: see additional brochure

Article No.	Volume ml	DN	IH mm	ID mm	Valve bore	
17.500.73	500	100	285		10mm	
17.500.81	1000	100	290		10mm	
17.501.81	1000	120	340		10mm	
17.501.87	2000	120	340		10mm	
17.502.87	2000	150	375		10mm	
17.502.89	3000	150	520		10mm	

DN 100 / 10 mm

DN 120 / 10 mm

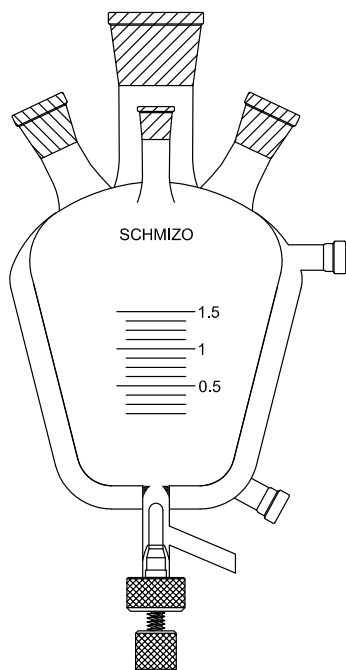
DN 150 / 10 mm



Top view: Inlet/outlet backwards, side arm rightwards. On request we can customize this arrangement.

Jacketed Sulphonating Flask with Bottom Outlet

Jacketed sulphonating flask, inlet/outlet flat flange DN 15, bottom outlet with discharge valve type SCHMIZO, serial numbered



Inlet/Outlet

Flat flange DN 15

On request also available with spherical joints, GL or SVL threads.

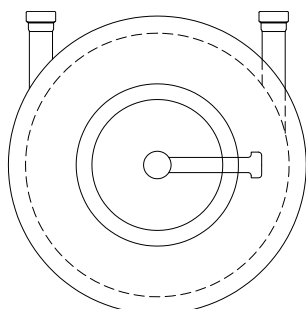
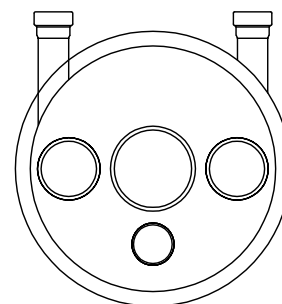
Side Arm

On request with hose nozzle, spherical joint or GL/SVL thread on the pipe available.

Discharge-Valve SCHMIZO

Product information: see additional brochure

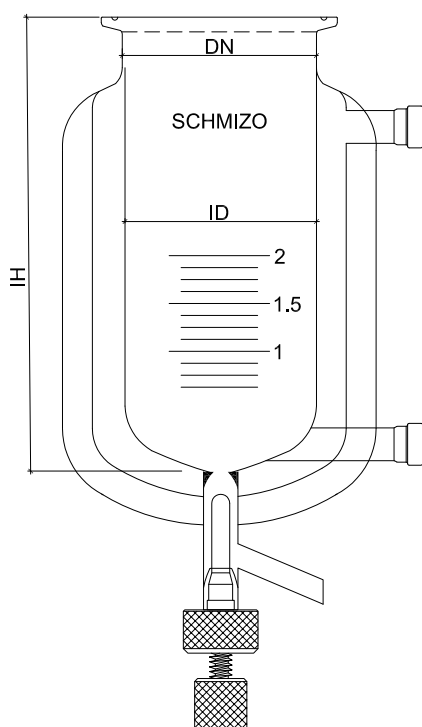
Article No.	Volume ml	Central NS	Lateral NS	Lateral NS	Lateral NS	
17.510.72	350	45	29	14	-	
17.510.73	500	45	29	29	-	
17.510.79	750	45	29	29	-	
17.510.81	1000	45	29	29	14	
17.510.85	1500	45	29	29	14	
17.510.89	2500	45	29	29	14	



Top view: Inlet/outlet backwards, side arm rightwards. On request we can customize this arrangement.

Vacuum Jacketed Reaction Vessel with Bottom Outlet

Reaction vessel, vacuum jacketed, flat flange SCHMIZO with a groove, round bottom, inlet/outlet flat flange DN 15, bottom outlet with discharge valve type SCHMIZO, serial numbered



SCHMIZO Flat Flange

DN = Diameter nominal

All reaction vessels are also available with „SCHOTT“ flange (DURAN laboratory flange): Please add „S“ at the end of the article number. Size DN 200 is only available with SCHOTT-flange.

Inlet/Outlet

Flat flange DN 15

On request also available with spherical joints, GL or SVL threads.

Side Arm

On request with hose nozzle, spherical joint or GL/SVL thread on the pipe available.

Discharge-Valve SCHMIZO

Product information: see additional brochure

Article No.	Volume ml	DN	IH mm	ID mm	Valve Bore	
17.520.73	500	60	250	65	10mm	
17.521.73	500	100	190	105	10mm	
17.521.81	1000	100	250	105	10mm	
17.521.87	2000	100	265	150	10mm	
17.521.89	3000	100	320	150	10mm	
17.521.92	4000	100	380	150	10mm	
17.522.81	1000	120	180	120	10mm	
17.522.87	2000	120	290	120	10mm	
17.522.89	3000	120	330	150	10mm	
17.522.92	4000	120	390	150	10mm	
17.522.94	5000	120	360	180	10mm	
17.522.95	6000	120	400	180	10mm	
17.523.87	2000	150	240	150	10mm	
17.523.89	3000	150	285	150	10mm	
17.523.92	4000	150	330	150	10mm	
17.523.94	5000	150	350	180	10mm	
17.523.95	6000	150	370	180	10mm	

— DN 60 / 10 mm

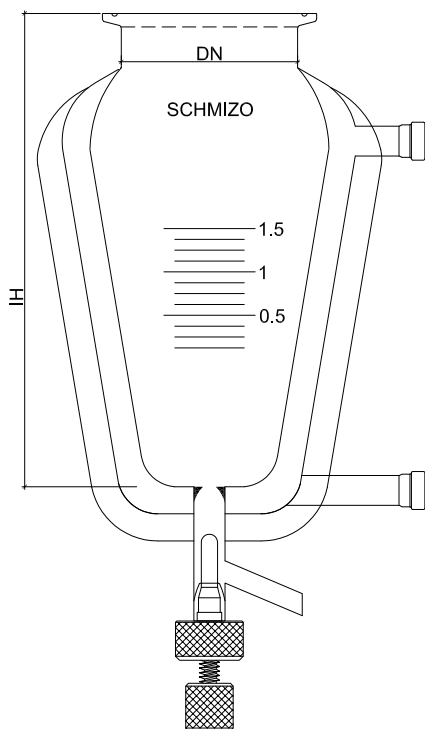
DN 100 / 10 mm

DN 100 / 10 mm

DN 100 / 10 mm

Vacuum Jacketed Reaction Vessel, Conical Shape, with Bottom Outlet

Triple-walled reaction vessel, conical shape, flat flange SCHMIZO with a groove, round bottom, inlet/outlet flat flange DN 15, bottom outlet with discharge valve type SCHMIZO, serial numbered



SCHMIZO Flat Flange

DN = Diameter nominal

All reaction vessels are also available with „SCHOTT“ flange (DURAN laboratory flange): Please add „S“ at the end of the article number. Size DN 200 is only available with SCHOTT-flange.

Inlet/Outlet

Flat flange DN 15

On request also available with spherical joints, GL or SVL threads.

Side Arm

On request with hose nozzle, spherical joint or GL/SVL thread on the pipe available.

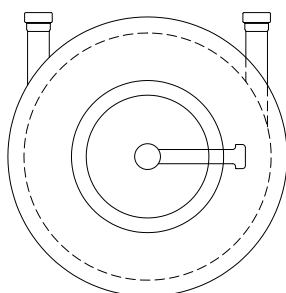
Discharge-Valve SCHMIZO

Product information: see additional brochure

Article No.	Volume ml	DN	IH mm	ID mm	Valve Bore	
17.530.73	500	100	285		10mm	
17.530.81	1000	100	290		10mm	
17.531.81	1000	100	340		10mm	
17.531.87	2000	100	340		10mm	
17.532.87	2000	120	375		10mm	
17.532.89	3000	120	520		10mm	

DN 100 / 10 mm

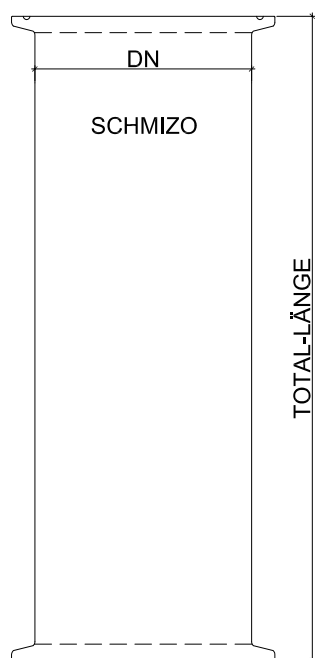
DN 120 / 10 mm



Top view: Inlet/outlet backwards, side arm rightwards. On request we can customize this arrangement.

Column Extender

O-Ring grooved flat flange top, ground flat flange bottom



SCHMIZO Flat Flange

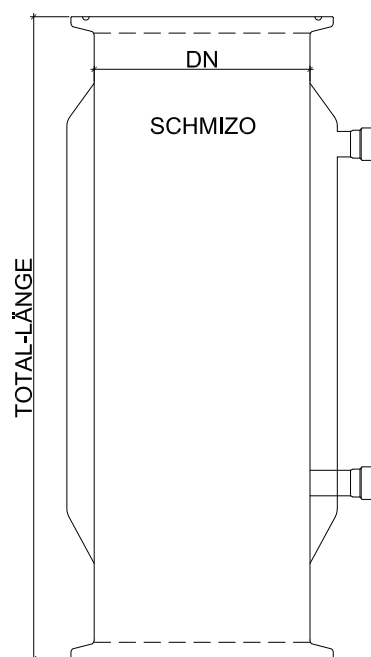
DN = Diameter nominal

All reaction vessels are also available with „SCHOTT“ flange (DURAN laboratory flange): Please add „S“ at the end of the article number. Size DN 200 is only available with SCHOTT-flange.

Article No.	Length mm	DN	
17.540.55	250	60	DN 60
17.540.65	400	60	
17.542.63	300	100	DN 100
17.542.67	500	100	
17.544.63	300	120	DN 120
17.544.65	400	120	
17.544.67	500	120	
17.546.65	400	150	DN 150
17.546.67	500	150	
17.548.65S	400	200	DN 200
17.548.67S	500	200	
17.548.68S	600	200	
17.548.69S	750	200	

Column Extender Jacketed

O-Ring grooved flat flange top, ground flat flange bottom, inlet/outlet flat flange DN 15



SCHMIZO Flat Flange

DN = Diameter nominal

All reaction vessels are also available with „SCHOTT“ flange (DURAN laboratory flange): Please add „S“ at the end of the article number. Size DN 200 is only available with SCHOTT-flange.

Inlet/Outlet

Flat flange DN 15

On request also available with spherical joints, GL or SVL threads.

Article No.	Length mm	DN	
17.550.55	250	60	
17.550.65	400	60	
17.552.63	300	100	
17.552.67	500	100	
17.554.63	300	120	
17.554.65	400	120	
17.554.67	500	120	
17.556.65	400	150	
17.556.67	500	150	
17.558.65S	400	200	
17.558.67S	500	200	
17.558.68S	600	200	

DN 60

DN 100

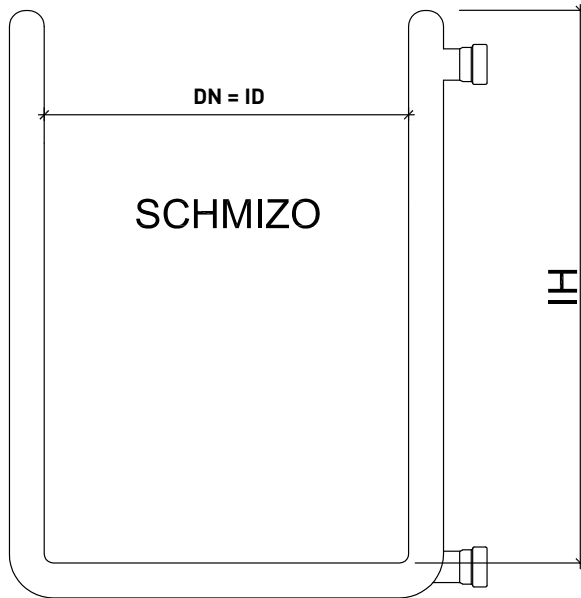
DN 120

DN 150

DN 200

Jacketed Beaker

Jacketed beaker with flat bottom, inlet/outlet flat flange DN 15



Inlet/Outlet

Flat flange DN 15

On request also available with spherical joints, GL or SVL threads.

Article No.	Volume ml	DN	IH mm	ID mm	Valve Bore	
17.515.55	100	60	60	60	-	
17.515.65	250	60	120	60	-	
17.515.73	500	60	210	60	-	
17.516.81	1000	100	170	100	-	
17.516.87	2000	100	290	100	-	
17.517.87	2000	120	205	120	-	
17.517.88	3000	120	295	120	-	
17.518.89	3000	150	205	150	-	
17.518.92	4000	150	260	150	-	
17.518.94	5000	150	365	150	-	
17.518.95	6000	150	390	150	-	

DN / ID 60

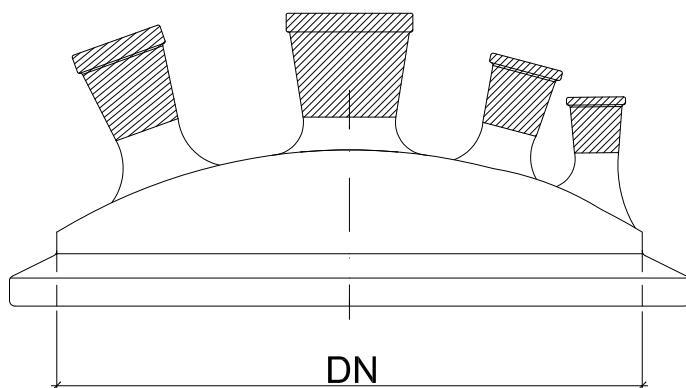
DN / ID 100

DN / ID 120

DN / ID 150

Flat Flange Lid DN 60

Flat Flange SCHMIZO without a groove



SCHMIZO Flat Flange

DN = Diameter nominal

All lids are also available with „SCHOTT“ flange (DURAN laboratory flange): Please add „S“ at the end of the article number.

Article No.	DN	Central NS	Lateral Vertical NS	Lateral Angled NS	Lateral Angled NS	Lateral Angled NS	
17.500.00	60						
17.501.10	60	14					
17.501.25	60	29					
17.501.35	60	45					
17.501.45	60	71					
17.502.10	60	14	14				
17.502.25	60	29	14				
17.502.30	60	29	29				
17.503.20	60	29	14	14			
17.503.25	60	29	14	29			
17.504.20	60	29	14	14	14		
17.504.25	60	29	14	14	29		
17.504.30	60	29	14	29	29		
17.505.50	60	29	14	14	29	14	

Blank Lid

1-Neck

2-Neck

3-Neck

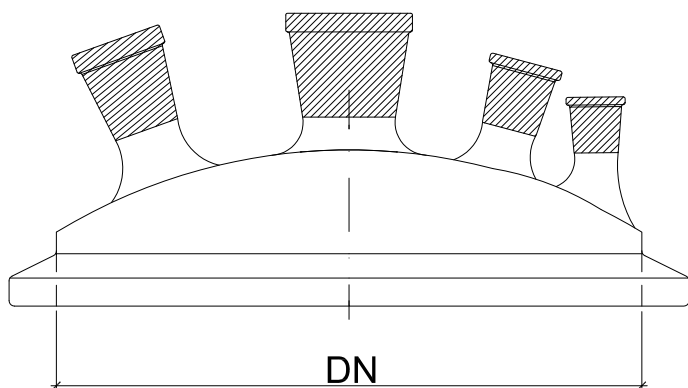
4-Neck

5-Neck

Special designs on request

Flat Flange Lid DN 100

Flat Flange SCHMIZO without a groove



SCHMIZO Flat Flange

DN = Diameter nominal

All lids are also available with „SCHOTT“ flange (DURAN laboratory flange): Please add „S“ at the end of the article number.

Article No.	DN	Central NS	Lateral Vertical NS	Lateral Angled NS	Lateral Angled NS	Lateral Angled NS	
17.600.00	100						
17.601.10	100	14					
17.601.25	100	29					
17.601.35	100	45					
17.601.45	100	71					
17.602.10	100	14	14				
17.602.25	100	29	14				
17.602.30	100	29	29				
17.602.35	100	45	14				
17.602.40	100	45	29				
17.603.20	100	29	14	14			
17.603.25	100	29	14	29			
17.603.30	100	45	14	14			
17.603.40	100	45	14	29			
17.604.20	100	29	14	14	14		
17.604.25	100	29	14	14	29		
17.604.30	100	29	14	29	29		
17.604.35	100	45	14	14	14		
17.604.45	100	45	14	29	29		
17.605.20	100	29	14	29	29	29	
17.605.25	100	29	14	14	29	29	
17.605.30	100	45	14	29	29	29	
17.605.35	100	45	14	14	29	29	

Blank Lid

1-Neck

2-Neck

3-Neck

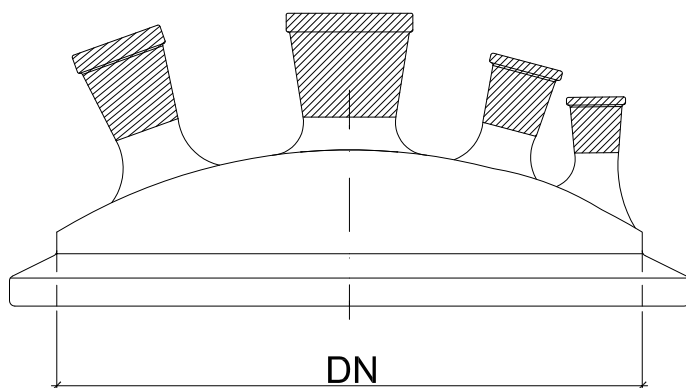
4-Neck

5-Neck

Special designs on request

Flat Flange Lid DN 120

Flat Flange SCHMIZO without a groove



SCHMIZO Flat Flange

DN = Diameter nominal

All lids are also available with „SCHOTT“ flange (DURAN laboratory flange): Please add „S“ at the end of the article number.

Article No.	DN	Central NS	Lateral Vertical NS	Lateral Angled NS	Lateral Angled NS	Lateral Angled NS	
17.700.00	120						
17.701.10	120	14					
17.701.25	120	29					
17.701.35	120	45					
17.701.45	120	71					
17.702.10	120	14	14				
17.702.25	120	29	14				
17.702.30	120	29	29				
17.702.35	120	45	14				
17.702.40	120	45	29				
17.703.20	120	29	14	14			
17.703.25	120	29	14	29			
17.703.30	120	45	14	14			
17.703.40	120	45	14	29			
17.704.20	120	29	14	14	14		
17.704.25	120	29	14	14	29		
17.704.30	120	29	14	29	29		
17.704.35	120	45	14	14	14		
17.704.45	120	45	14	29	29		
17.705.20	120	29	14	29	29	29	
17.705.25	120	29	14	14	29	29	
17.705.30	120	45	14	29	29	29	
17.705.35	120	45	14	14	29	29	

Blank Lid

1-Neck

2-Neck

3-Neck

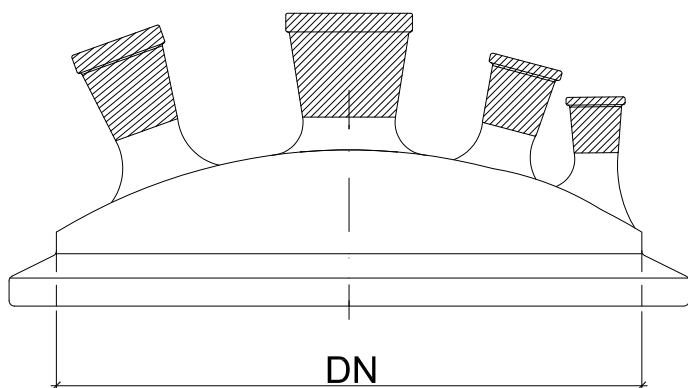
4-Neck

5-Neck

Special designs on request

Flat Flange Lid DN 150

Flat Flange SCHMIZO without a groove



SCHMIZO Flat Flange

DN = Diameter nominal

All lids are also available with „SCHOTT“ flange (DURAN laboratory flange): Please add „S“ at the end of the article number.

Article No.	DN	Central NS	Lateral Vertical NS	Lateral Angled NS	Lateral Angled NS	Lateral Angled NS	
17.800.00	150						
17.801.10	150	14					
17.801.25	150	29					
17.801.35	150	45					
17.801.45	150	71					
17.802.10	150	14	14				
17.802.25	150	29	14				
17.802.30	150	29	29				
17.802.35	150	45	14				
17.802.40	150	45	29				
17.803.20	150	29	14	14			
17.803.25	150	29	14	29			
17.803.30	150	45	14	14			
17.803.40	150	45	14	29			
17.804.20	150	29	14	14	14		
17.804.25	150	29	14	14	29		
17.804.30	150	29	14	29	29		
17.804.35	150	45	14	14	14		
17.804.45	150	45	14	29	29		
17.805.20	150	29	14	29	29	29	
17.805.25	150	29	14	14	29	29	
17.805.30	150	45	14	29	29	29	
17.805.35	150	45	14	14	29	29	

Blank Lid

1-Neck

2-Neck

3-Neck

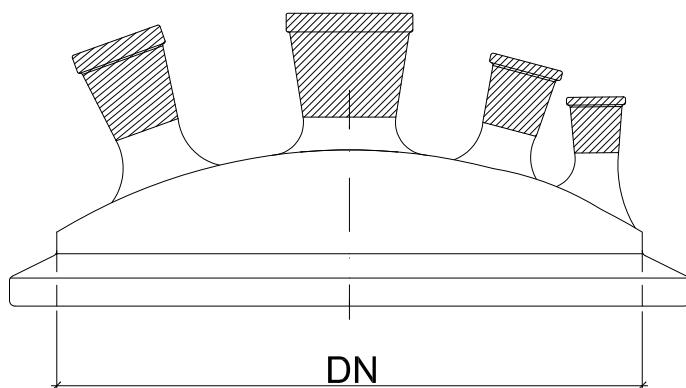
4-Neck

5-Neck

Special designs on request

Flat Flange Lid DN 200

Flat Flange SCHOTT without a groove



SCHMIZO Flat Flange

DN = Diameter nominal

All lids DN 200 are only available with „SCHOTT“ flange (DURAN laboratory flange).

Article No.	DN	Central NS	Lateral Vertical NS	Lateral Angled NS	Lateral Angled NS	Lateral Angled NS	
17.900.00S	200						
17.901.25S	200	29					
17.901.35S	200	45					
17.901.45S	200	71					
17.902.25S	200	29	14				
17.902.30S	200	29	29				
17.902.35S	200	45	14				
17.902.40S	200	45	29				
17.903.20S	200	29	14	14			
17.903.25S	200	29	14	29			
17.903.30S	200	45	14	14			
17.903.40S	200	45	14	29			
17.904.20S	200	29	14	14	14		
17.904.25S	200	29	14	14	29		
17.904.30S	200	29	14	29	29		
17.904.35S	200	45	14	14	14		
17.904.45S	200	45	14	29	29		
17.905.20S	200	29	14	29	29	29	
17.905.25S	200	29	14	14	29	29	
17.905.30S	200	45	14	29	29	29	
17.905.35S	200	45	14	14	29	29	

Blank Lid

1-Neck

2-Neck

3-Neck

4-Neck

5-Neck

Special designs on request

Seals & Holders for Flat Flanges

FEP Covered O-Ring with Silicone Core (-80°C up to 200°C)

Flat Flange **SCHMIZO**

Article No.	DN	
17.930.10	60	
17.930.20	100	
17.930.30	120	
17.930.40	150	

Flat Flange **SCHOTT**

Article No.	DN	
17.935.10	60	
17.935.20	100	
17.935.30	120	
17.935.40	150	
17.935.50	200	



O-Ring Viton/FPM 75 Shore (-20°C up to 200°C)

Flat Flange **SCHMIZO**

Article No.	DN	
17.920.10	60	
17.920.20	100	
17.920.30	120	
17.920.40	150	



PTFE Flat Seal (-200°C up to 260°C)

Flat Flange **SCHOTT / KF3**

Article No.	DN	
17.936.10	15	
17.936.20	25	
17.936.30	40	
17.936.40	200	
17.936.50	300	



Quick Release Clamb, Stainless Steel

Article No.	DN	Fits Flange Type
12.343.60	60	SCHMIZO / SCHOTT
12.343.10	100	SCHMIZO / SCHOTT
12.343.12	120	SCHOTT
12.343.15	150	SCHMIZO / SCHOTT
12.343.20	200	SCHOTT



Reactor Holder Type SCHMIZO, Polyester (glass-fiber reinforced) , Max. Temp. 160° C (temporary up to 200° C)

Article No.	DN	Fits Flange Type
12.344.98	60	SCHMIZO
12.346.98	60	SCHOTT
12.344.37	100	SCHMIZO
12.346.37	100	SCHOTT
12.344.50	120	SCHMIZO
12.346.50	120	SCHOTT
12.344.80	150	SCHMIZO
12.346.80	150	SCHOTT



The reactor holders DN 60 / DN 100 / DN 120 (pict. 1) are delivered with a thread rod M8 13 x 200 mm. Optionally you can modify them with a twin rod (pict. 3).

The reactor holder DN 150 (pict. 2) has two lateral mountings for rods up to 13 mm diameter. They are not included in delivery. See also picture following page.

Twin Rod for Reactor Holder Type SCHMIZO

Article No.	DN	Fits Flange Type
12.348.40	60 - 120	SCHMIZO / SCHOTT

Reactor Holder, Stainless Steel

Article No.	DN	Fits Flange Type	
12.349.10	100	SCHOTT	
12.349.12	120	SCHOTT	
12.349.15	150	SCHOTT	
12.349.20	200	SCHOTT	



Holding Devices for SCHOTT Tech-Flange, Plastics

Article No.	DN	Fits Flange Type	
12.347.07	200	SCHOTT TECH	
12.347.09	300	SCHOTT TECH	



Screws and springs are included in delivery



SCHMIZO reactor holder DN 150

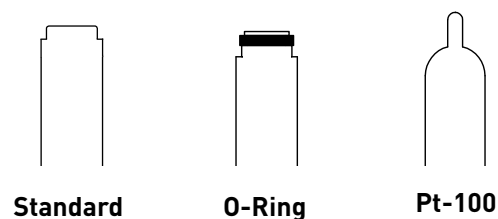
Bottom Discharge Valve SCHMIZO

Bottom Discharge Valve SCHMIZO (-30+C ... 200°C)

Article No.	For Aperture mm	Construction
17.940.10	10	standard
17.940.12	10	O-Ring KALREZ
17.940.14	10	O-Ring Viton
17.940.16	10	with Pt-100 probe
17.942.10	16	standard
17.942.12	16	O-Ring KALREZ
17.942.14	16	O-Ring Viton
17.942.16	16	with Pt-100 probe
17.944.10	20	standard
17.944.12	20	O-Ring KALREZ
17.944.14	20	O-Ring Viton
17.944.16	20	with Pt-100 probe

Also available with pneumatic cylinder.

The discharge valve can be used with limited leak tightness up to -100°C.



Components / Spare Parts

No.	Name
1	Valve shaft PTFE
2	Fixing screw
3	Valve knob with thread and integrated pressure spring
4	Seal seat conical with O-Ring joint
5	Spacer
6	Coupling nut
7	Spring

We can check if it is worth to revise a discharge valve and we can repair it in our workshop.

All spare parts can also be ordered separately. Information about shaft size and length will be necessary (standard length is 75 mm).



Adapters for Jacket Inlet/Outlet

Adapters Spherical Joints - Metal Hose

Article No.	Type	Thread	Form	Seal
17.980.10	KS 19	M 16x1	straight	spherical
17.980.11	KS 19	M 16x1	90°	spherical
17.980.20	KS 29	M 16x1	straight	spherical
17.980.21	KS 29	M 16x1	90°	spherical
17.980.22	KS 29	M 24x1.5	straight	spherical
17.980.23	KS 29	M 24x1.5	90°	spherical



Adapters Flat Flanges - Metal Hose

Article No.	Type	Thread	Form	Seal
17.981.96	DN 15	Olive 10mm	straight	O-Ring
17.980.96	DN 15	Olive 12mm	straight	O-Ring
17.980.97	DN 15	M 16x1	90°	O-Ring
17.980.95	DN 15	M 16x1	straight	O-Ring
17.980.94	DN 15	M 24x1.5	straight	O-Ring
17.980.98	DN 15	M 24x1.5	90°	O-Ring
17.981.97	DN 25	M 16x1	90°	O-Ring
17.981.94	DN 25	M 24x1.5	straight	O-Ring
17.981.98	DN 25	M 24x1.5	90°	O-Ring
17.982.00	DN 25	M 30x1.5	straight	flat
17.982.10	DN 25	M 30x1.5	90°	flat



DN 15 = KF 15/3, DN 25 = KF 25/3

Seals and security springs are included for all models

Security Spring for Metal Hose Adapters

Article No.	Size	Material
17.982.50	one size fits all	Stainless steel V4A



Seals for Metal Hose Adapters

Article No.	Type	Size	Material	Max. Temp.
12.355.22	spherical	KS 19	PTFE	260°C
12.355.40	spherical	KS 29	PTFE	260°C
17.982.15	O-Ring	DN 15	FEP/Silicone	205°C
17.982.25	O-Ring	DN 25	FEP/Silicone	205°C
17.936.10	flat	DN 15	PTFE	260°C
17.936.20	flat	DN 25	PTFE	260°C



Insulated Metal Hoses

Metal Hose ECO

Wave hose made of stainless steel with silicone insulation, fitting SCHMIZO reactors and hose adapters.

Article No.	Thread	Length m	DN mm	Temperature Range °C
17.986.10	M 16x1	1.0	10	-30 ... +200
17.986.15	M 16x1	1.5	10	-30 ... +200
17.986.20	M 16x1	2.0	10	-30 ... +200
17.986.30	M 16x1	3.0	10	-30 ... +200



Metal Hose STANDARD

Wave hose made of stainless steel with special silicone foam insulation and end cap, fitting SCHMIZO reactors and hose adapters.

Article No.	Thread	Length m	DN mm	Temperature range °C
17.985.10	M 16x1	1.0	10	-100 ... +260
17.985.15	M 16x1	1.5	10	-100 ... +260
17.985.20	M 16x1	2.0	10	-100 ... +260
17.985.30	M 16x1	3.0	10	-100 ... +260
17.985.55	M 24x1.5	1.0	12	-100 ... +260
17.985.60	M 24x1.5	1.5	12	-100 ... +260
17.985.65	M 24x1.5	2.0	12	-100 ... +260
17.985.70	M 24x1.5	3.0	12	-100 ... +260
17.985.75	M 30x1.5	1.0	20	-100 ... +260
17.985.80	M 30x1.5	1.5	20	-100 ... +260
17.985.85	M 30x1.5	2.0	20	-100 ... +260
17.985.90	M 30x1.5	3.0	20	-100 ... +260



Other threads and lengths are also available

Spherical Joint with Hose Connection (borosilicate glass)

Art.Nr.	SJ	
17.950.19	19/9	
17.950.29	29/15	

Clamps for Spherical Joints
stainless steel, with tightening screw

Art.Nr.	SJ	
12.341.14	19	
12.341.18	29	



PP Hose Connection with PBT Screw Cap

Article No.	Form	for GL	ID mm	OD mm	
12.259.03	straight	14	5.0	8.6	
12.259.06	straight	18	6.8	10.8	
12.259.05	arced	14	4.0	8.6	
12.259.08	arced	18	6.8	10.8	



PP Hose Connection with Silicone Joint

Article No.	Form	for GL	ID mm	OD mm	
12.259.02	straight	14	5.0	8.6	
12.259.07	straight	18	6.8	10.8	
12.259.04	arced	14	4.0	8.6	
12.259.09	arced	18	6.8	10.8	



PTFE Hose Connection with PBT Srew Cap

Article No.	Form	for GL	ID mm	OD mm	
12.259.40	straight	14	5.0	9.0	
12.259.42	straight	18	7.5	10.5	
12.259.44		25	10	13	
	arced				
12.259.46	arced	14	5.0	9.0	
12.259.48	gebogen	18	7.5	10.5	



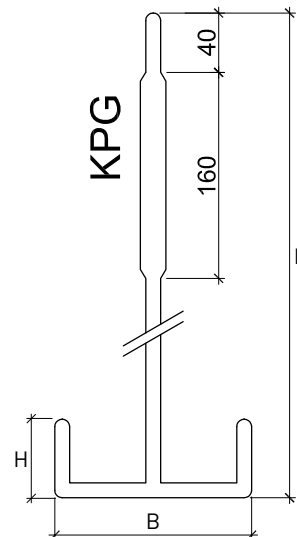
Anchor Stirrers

KPG Anchor-Stirrer (KPG-length 160 mm)

Please indicate desired length **L** by placing your order!

Article No.	Ø KPG mm	Chucking Ø mm	Width B mm	Height H mm
24.603.06	10	8	60	60
24.603.09	10	8	90	90
24.603.11	10	8	110	110
24.603.14	10	8	140	140
24.604.06	16	10	60	60
24.604.09	16	10	90	90
24.604.11	16	10	110	110
24.604.14	16	10	140	140

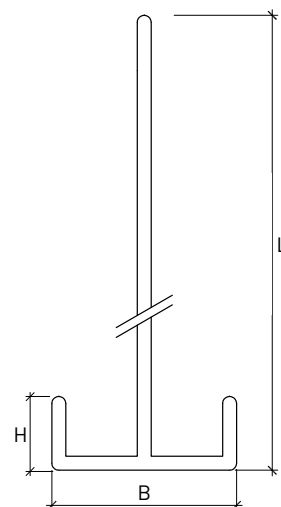
All stirrers are also available with ZRS instead of KPG (ZRS-length 300mm).



Anchor Stirrer with Simple Glass Shaft

Please indicate desired length **L** by placing your order!

Article No.	Shaft Ø mm	Chucking Ø mm	Width B mm	Height H mm
24.605.09	8	8	90	90
24.605.11	8	8	110	110
24.605.14	8	8	140	140
24.606.06	10	10	60	60
24.606.09	10	10	90	90
24.606.11	10	10	110	110
24.606.14	10	10	140	140



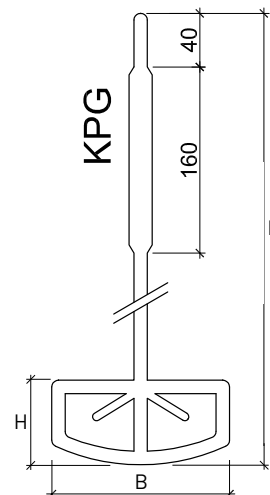
Pretzel Stirrer

KPG Pretzel Stirrer (KPG-Length 160 mm)

Please indicate desired length **L** by placing your order!

Article No.	Ø KPG mm	Chucking Ø mm	Width B mm	Height H mm
24.618.06	10	8	60	55
24.618.09	10	8	90	85
24.618.11	10	8	110	85
24.618.14	10	8	140	100
24.619.06	16	10	60	55
24.619.09	16	10	90	85
24.619.11	16	10	110	85
24.619.14	16	10	140	100

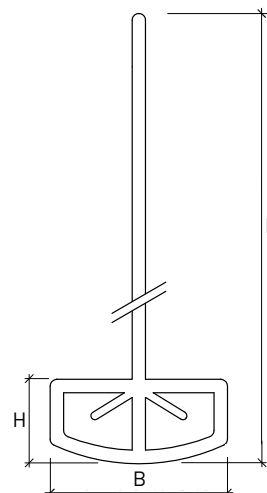
All stirrers are also available with ZRS instead of KPG
(ZRS-length 300mm).



Pretzel Stirrer with Simple Glass Shaft

Please indicate desired length **L** by placing your order!

Article No.	Ø KPG mm	Chucking Ø mm	Width B mm	Height H mm
24.620.09	8	8	90	85
24.620.11	8	8	110	85
24.620.14	8	8	140	100
24.621.06	10	10	60	55
24.621.09	10	10	90	85
24.621.11	10	10	110	85
24.621.14	10	10	140	100

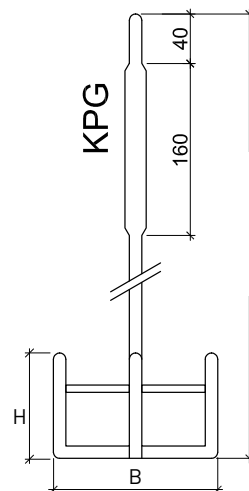


Double Anchor Stirrer

KPG Double anchor stirrer (KPG-Length 160 mm)
Please indicate desired length **L** by placing your order!

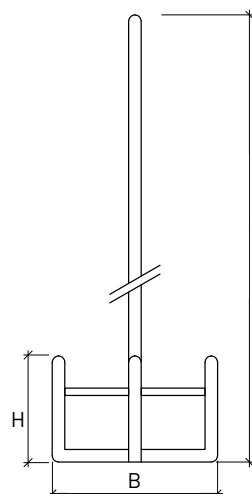
Article No.	Ø KPG mm	Chucking Ø mm	Width B mm	Height H mm
24.626.06	10	8	60	60
24.626.09	10	8	90	90
24.626.11	10	8	110	110
24.626.14	10	8	140	140
24.627.06	16	10	60	60
24.627.09	16	10	90	90
24.627.11	16	10	110	110
24.627.14	16	10	140	140

All stirrers are also available with ZRS instead of KGP
(ZRS-length 300mm).



Double Anchor Stirrer with Simple Glass Shaft
Please indicate desired length **L** by placing your order!

Article No.	Ø KPG mm	Chucking Ø mm	Width B mm	Height H mm
24.628.09	8	8	90	90
24.628.11	8	8	110	110
24.628.14	8	8	140	140
24.629.06	10	10	60	60
24.629.09	10	10	90	90
24.629.11	10	10	110	110
24.629.14	10	10	140	140



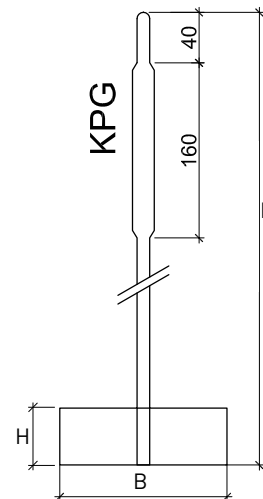
4 Blade Stirrer

KPG 4 Blade Stirrer (KPG Length 160 mm)

Please indicate desired length **L** by placing your order!

Article No.	Ø KPG mm	Chucking Ø mm	Width B mm	Height H mm
24.634.24	10	8	24	25
24.634.40	10	8	40	25
24.634.60	10	8	60	25
24.635.24	16	10	24	25
24.635.40	16	10	40	25
24.635.60	16	10	60	25

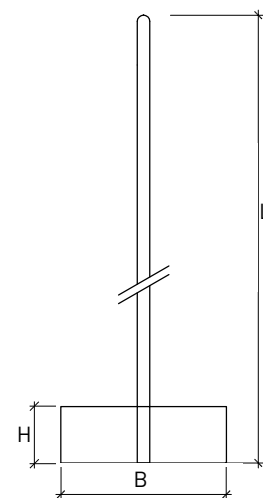
All stirrers are also available with ZRS instead of KGP
(ZRS-length 300mm).



4 Blade Stirrer with Simple Glass Shaft

Please indicate desired length **L** by placing your order!

Article No.	Ø KPG mm	Chucking Ø mm	Width B mm	Height H mm
24.636.40	8	8	40	25
24.636.60	8	8	60	25
24.637.24	10	10	24	25
24.637.40	10	10	40	25
24.637.60	10	10	60	25



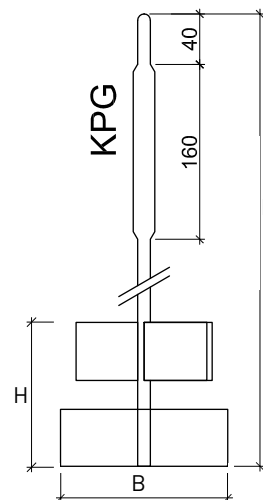
Double 4 Blade Stirrer

KPG Double 4 Blade Stirrer

Please indicate desired length **L** by placing your order!

Article No.	Ø KPG mm	Chucking Ø mm	Width B mm	Height H mm
24.642.24	10	8	24	65
24.642.40	10	8	40	65
24.642.60	10	8	60	65
24.643.24	16	10	24	65
24.643.40	16	10	40	65
24.643.60	16	10	60	65

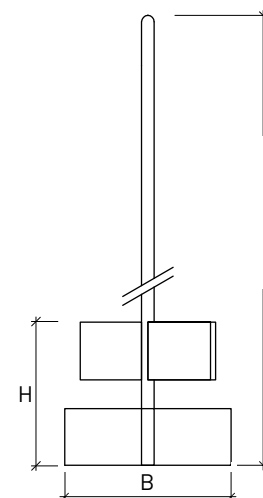
All stirrers are also available with ZRS instead of KPG (ZRS-length 300mm).



Double 4 Blade Stirrer with Simple Glass Shaft

Please indicate desired length **L** by placing your order!

Article No.	Ø KPG mm	Chucking Ø mm	Width B mm	Height H mm
24.644.40	8	8	40	65
24.644.60	8	8	60	65
24.645.24	10	10	24	65
24.645.40	10	10	40	65
24.645.60	10	10	60	65



Stirrer Shafts with Eye

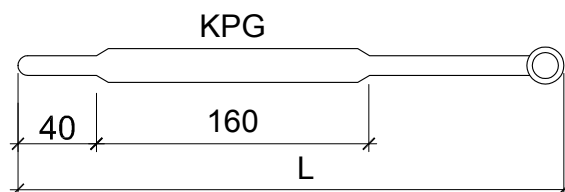
for PTFE blades with bolt and washer

KPG Stirrer Shaft with Eye (KPG-Length 300 mm)

Please indicate desired length **L** by placing your order!

Article No.	Ø KPG mm	Chucking Ø mm	
23.638.21	10	8	
23.638.24	16	10	

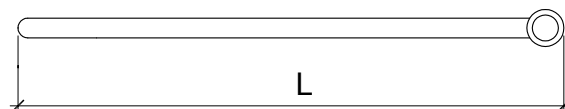
All stirrers are also available with ZRS instead of KGP (ZRS-length 300mm).



Stirrer shaft with Eye with Simple Glass Shaft

Please indicate desired length **L** by placing your order!

Article No.	Ø shaft mm	Chucking Ø mm	
23.635.70	8	8	
23.629.10	10	10	
23.629.12	12	10	
23.629.14	14	10	
23.629.16	16	10	

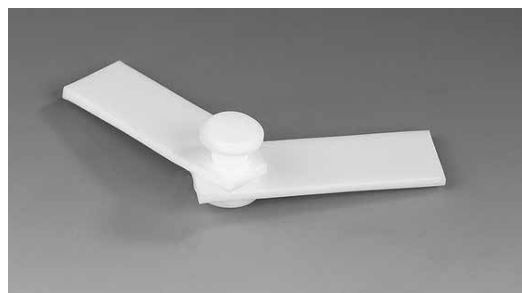


Straddling Stirrer Blade with Bolt

for stirrer blades with eye, suitable for joints from NS 24.

Article No.	Ø KPG mm	Chucking Ø mm	
23.643.07	50	8	
23.643.09	70	8	
23.643.11	90	8	

Replacement bolts and other sizes by request.
(Available with blade widths 30, 120 and 140 mm, however with different bolt sizes!)



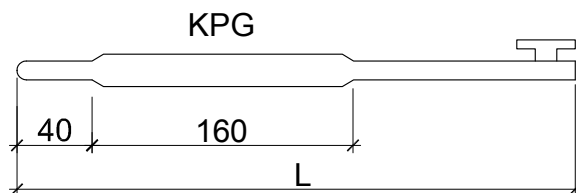
Stirrer Shafts with Double Pivot

for PTFE moon-shaped stirrer blades with double-sided groove

KPG Stirrer Blade with Double Pivot (KPG Length 160 mm)
Please indicate desired length **L** by placing your order!

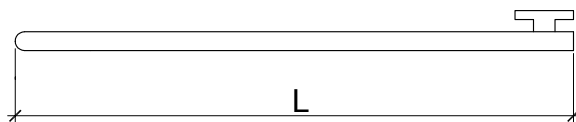
Article No.	Ø KPG mm	Chucking Ø mm	
23.638.01	10	8	
23.638.04	16	10	

All stirrers are also available with ZRS instead of KGP (ZRS-length 300mm).



Stirrer Blade with Double Pivot with Simple Glass Shaft
Please indicate desired length **L** by placing your order!

Article No.	Ø Shaft mm	Chucking Ø mm	
23.640.01	10	10	



PTFE Moon-Shaped Stirrer Blades with Double-Sided Groove
for stirrer shafts with double pivot

Article No.	Stirrer blade mm	fits NS	
23.644.01	50 x 18 x 3	24	
23.644.02	50 x 24 x 3	29	
23.644.04	65 x 18 x 3	24	
23.644.05	68 x 24 x 3	29	
23.644.06	75 x 24 x 3	29	
23.644.07	90 x 24 x 3	29	
23.644.08	110 x 24 x 3	29	
23.644.09	125 x 24 x 3	29	
23.644.10	145 x 35 x 4	45	



Stirrer Shaft with Thread Head

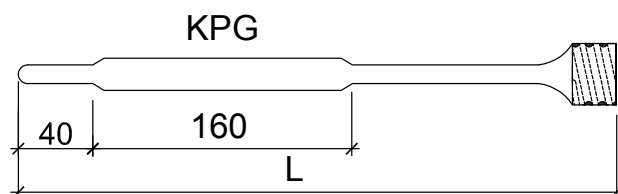
for PTFE stirrer heads with SVL TORION 5 thread

KPG Stirrer Shaft with Thread Head (KPG Length 160 mm)

Please indicate desired length **L** by placing your order!

Article No.	Ø KPG mm	Chucking Ø mm	
23.647.01	10	8	
23.647.04	16	10	

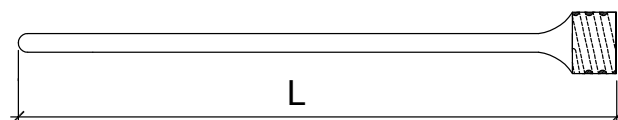
All stirrers are also available with ZRS instead of KGP (ZRS-length 300mm).



Stirrer Shaft with Thread Head with Simple Glass Shaft

Please indicate desired length **L** by placing your order!

Article No.	Ø Shaft mm	Chucking Ø mm	
23.648.01	10	10	
23.648.02	12	10	
23.648.03	14	10	
23.648.04	16	10	



PTFE Stirrer Heads with Thread

fits stirrer shafts with SVL TORION 5 thread

Article No.	Stirrer head type	Wide mm	
23.650.10	Straddling blades (1)	70	
23.650.20	Leaf (2)	70	
23.650.30	Small anchor (3)	54	
23.650.35	Big anchor (4)	90	
23.650.40	Propeller (5)	80	



1



2



3



4

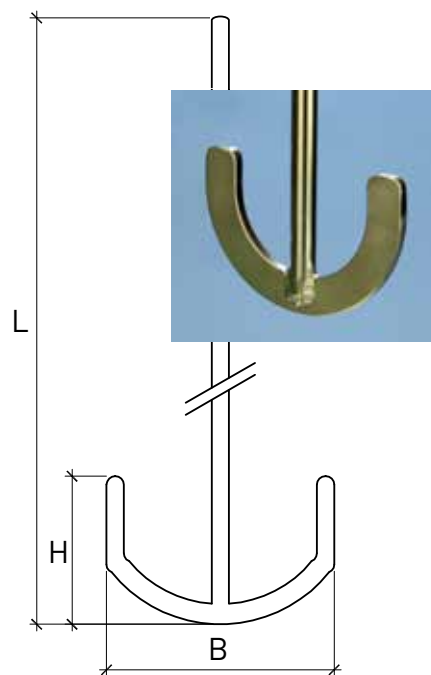


5

Stainless Steel Stirrer Shafts

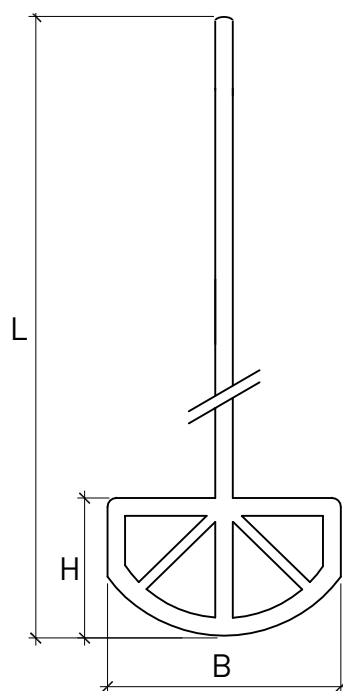
Anchor Stirrer

Article No.	Width B mm	Height H mm	Length L mm	Ø Shaft mm	
23.651.01	60	60	800	10	
23.651.02	60	60	1000	10	
23.651.41	90	90	800	10	
23.651.42	90	90	1000	10	
23.651.03	110	110	800	10	
23.651.04	110	110	1000	10	
23.651.05	140	140	800	10	
23.651.06	140	140	1000	10	
23.651.07	140	140	1200	10	
23.651.08	190	190	800	10	
23.651.09	190	190	1000	10	
23.651.10	190	190	1200	10	



Pretzel-Stirrer

Article No.	Width B mm	Height H mm	Length L mm	Ø Shaft mm	
23.651.21	60	60	800	10	
23.651.22	60	60	1000	10	
23.651.45	90	90	800	10	
23.651.46	90	90	1000	10	
23.651.23	110	110	800	10	
23.651.24	110	110	1000	10	
23.651.25	140	140	800	10	
23.651.26	140	140	1000	10	
23.651.27	140	140	1200	10	
23.651.28	190	190	800	10	
23.651.29	190	190	1000	10	
23.651.30	190	190	1200	10	



All other forms and sizes by request. Stainless steel stirrer shafts can be coated with HALAR (max. working temperature- 150°C).

BOLA PTFE Stirrer Shafts

As alternative to glass or stainless steel stirrer shafts, we offer BOLA stirrer shafts. Please find the whole BOLA range on:

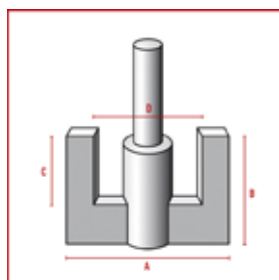
<http://www.bola.de/en/products/stirring-and-mixing/stirrer-shafts.html>

BOLA stirrer shafts are made with a PTFE covered stainless steel shaft and blades of PTFE. The steel core provides high stability and allows safe fixing in the stirrer coupling. The product which is stirred is only exposed to PTFE.

Temperature range: -200°C up to +250°C

Chemical resistance: +++ univesal

Example: Anchor Stirrer Shafts



BOLA Stirrer Shaft with One Paddle



BOLA Stirrer Shaft with Two Paddles



BOLA Propeller Stirrer Shaft



BOLA Centrifugal Stirrer Shaft



BOLA Disc Stirrer Shaft

Article No.	Length mm	Shaft Ø mm	Chucking Ø mm	A mm	B mm	C mm	D mm
C 384-01	350	8	6.5	40	35	20	26
C 384-02	350	8	6.5	60	40	25	30
C 384-04	450	8	6.5	60	40	25	30
C 384-06	450	8	6.5	80	50	30	44
C 384-08	600	8	6.5	80	50	30	44
C 384-10	600	8	6.5	100	60	35	56
C 384-16	350	10	8	80	50	30	44
C 384-17	450	10	8	80	50	30	44
C 384-24	600	10	8	100	60	35	56
C 384-28	800	10	8	100	60	35	56
C 384-32	1000	10	8	100	60	35	56
C 384-40	1200	10	8	100	60	35	56
C 384-44	600	10	8	130	80	55	80
C 384-48	800	16	8	130	80	55	80
C 584-52	800	16	10	150	120	90	90
C 584-58	1000	16	10	150	120	90	90
C 584-64	1200	16	10	150	120	90	90

Stirrer Bearings

KPG Stirrer Bearing with NS Joint Cone, Optionally with Grease Cup

suitable for KPG stirrer bearings

Article No.	Ø KPG mm	NS Joint Cone	grease cup	
23.601.32	10	24	-	
23.602.32	10	29	-	
23.603.32	10	45	-	
23.604.32	10	24	✓	
23.605.32	10	29	✓	
23.606.32	10	45	✓	
23.606.48	16	45/40	✓	



Jacketed Stirrer Bearing

suitable for simple glass or KPG stirrer shafts

The screw cap with seal for the upper thread and the screw caps with hoses for the Inlet/Outlet are included.

Article No.	Inner Ø	NS Joint Cone	Upper thread	Inlet/ Outlet	
23.610.32	8 mm	24	GL 18	GL 14	
23.610.40	8 mm	29	GL 18	GL 14	
23.610.42	8 mm	45	GL 18	GL 14	
23.640.46	8 mm	71	GL 18	GL 14	
23.612.32	KPG 10	24	GL 25	GL 14	
23.612.40	KPG 10	29	GL 25	GL 14	
23.612.48	KPG 10	45	GL 25	GL 14	
23.615.45	KPG 16	45	GL 25	GL 14	

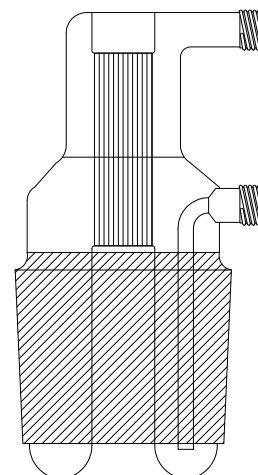


Jacketed KPG Stirrer Bearing, KPG Inside the Jacket

suitable for KPG stirrer shafts.

Screw caps with hoses are included.

Article No.	KPG Ø mm	NS Joint Cone	Inlet/ Outlet	
23.613.01	10	29	GL 14	
23.613.02	10	45	GL 14	
23.613.23	16	45	GL 14	
23.613.24	16	60	GL 14	
23.613.25	16	71	GL 14	



Jacketed KPG Stirrer Bearing, KPG above the Jacket

suitable for KPG stirrer shafts.

Srew caps with hoses are included.

Article No.	Ø KPG mm	NS Joint Cone	grease cup
23.613.11	10	29	GL 14
23.613.12	10	45	GL 14
23.613.33	16	45	GL 14
23.613.44	16	60	GL 14
23.613.45	16	71	GL 14



Stirrer Bearing with PTFE Shaft Guide

suitable for all kind of stirrer shafts

Gasket and guide shaft are exchangeable.

Article No.	Ø mm	NS Joint Cone	Thread GL
23.616.10	8	29	25
23.616.15	10	29	25
23.616.20	10	45	25
23.616.25	16	45	32



Replacement PTFE Shaft Guide, Gasket included

Space part for the stirrer bearings no. 23.616.xx

Article No.	Ø mm
23.616.01	8
23.616.02	10
23.616.03	16



Replacement Special Gasket PTFE/FPM

Space part for the stirrer bearings no. 23.616.xx

Article No.	Ø mm
23.616.11	8
23.616.12	10
23.616.13	16

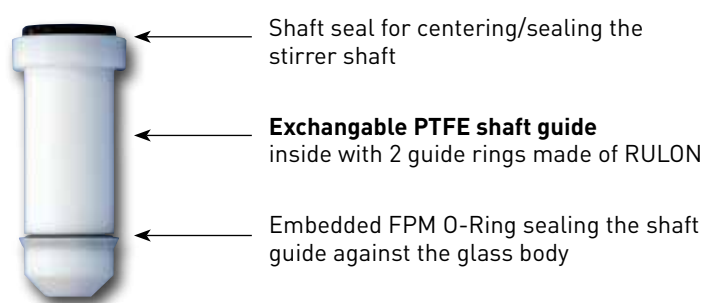


Stirrer Bearing FLUKA

Suitable for vacuum and lightly over-pressure

The centerpiece of the FLUKA stirrer bearing is the shaft guide made of PTFE, which is equipped with a shaft seal and two inside FPM O-rings for guiding the stirrer rod, and a seal outside against the glass part. Besides an optimized guiding of the stirrer rod, working with vacuum and lightly overpressure is possible.

The stirrer bearing is available either with a screw cap or a suction head.



Stirrer Bearing FLUKA with GL-Screw Cap

with exchangeable PTFE shaft seal, centering with shaft seal. Suitable for all kind of stirrer shafts.

Article No.	Ø mm	NS Joint Cone	GL
23.619.10	8	29	32
23.619.12	8	45	32
23.619.20	10	29	32
23.619.22	10	45	32
23.619.30	14	29	45
23.619.32	14	45	45
23.619.40	16	29	45
23.619.42	16	45	45



Replacement Shaft Guide FLUKA

shaft seal included; suitable for all kind of stirrer shafts.

Article No.	Ø mm
23.619.15	8
23.619.25	10
23.619.35	14
23.619.45	16



Shaft Seal Typ A, NBR

Quality according to DIN 3760 / ISO 6194

Article No.	Ø mm
23.689.05	8
23.689.15	10
23.689.34	14
23.689.35	16



Stirrer Bearing FLUKA with Suction Head

with exchangeable PTFE shaft guide, centering with 2 shaft seals. Fitting all kind of stirrer shafts.



Article No.	Ø mm	NS Joint Cone	GL
23.618.10	8	29	32
23.618.12	8	45	32
23.618.20	10	29	32
23.618.22	10	45	32
23.618.30	14	29	45
23.618.32	14	45	45
23.618.40	16	29	45
23.618.42	16	45	45

Suction Head for Stirrer Bearing FLUKA

Article No.	GL
23.618.00	32
23.618.02	45



Stirrer Bearing TORION

For vacuum up to 20 mbar.

Stirrer Bearing TORION

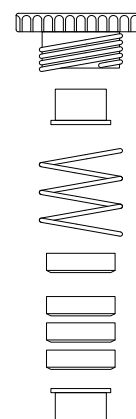
with exchangeable pressure screw and gaskets.



Article No.	Ø mm	NS Joint Cone
23.624.22	10	19
23.624.32	10	24
23.624.40	10	29
23.624.48	10	45
23.624.50	10	71

Spare Parts for Stirrer Bearing TORION

Article No.	Artikel
23.626.20	Sealing complete
23.626.30	10 pcs. gaskets
SVL720-03	Pressure screw



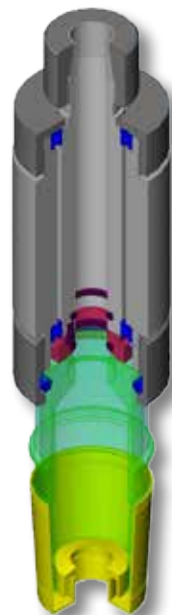
Mechanical Seals

Characteristics / Benefits:

- Completely oil and grease free
- Vacuum up to 1 mbar
- Excellent chemical resistance
- FDA compatible
- Meets GMP-guidelines
- Joint with tempering optionally
- Stainless steel ball bearing
- Provides non shedding of material into the reaction

Materials in contact with the product:

Borosilicate glass, Perfluororelastomer-FFKM, PTFE



Article No.	Ø Shaft mm	Joint	Installation Length mm	Material NS Cone	
23.623.16	8	NS 14	75	PTFE	
23.623.18	8	NS 19	75	PTFE	
23.623.20	10	NS 24	120	PTFE	
23.623.22	10	NS 29	120	PTFE	
23.623.24	10	NS 45	120	PTFE	
23.623.40	16	NS 45	160	glass	
23.623.42 *	16	NS 45	160	glass	
23.623.44	16	KF 25/3	200	glass	
23.623.46	16	KF 40/3	210	glass	

* Model with ground-cooling

Stirrer Couplings

Stirrer Coupling with Double Cardan Joint

with compression fittings made of PVDF, handling without any tool. The PVDF head is exchangeable. Max. 1000 rpm.

Article No.	Opening Ø mm	Total length mm	
23.656.08	8	150	
23.656.10	10	150	



Replacement PVDF Head

Article No.	Opening Ø mm	
23.656.09	8	
23.656.11	10	



Clamp Coupling with Double Cardan Joint

especially for stainless steel stirrer shafts. Fixation of the stirrer shaft with an Allen screw. Max. 1000 rpm.

Article No.	Opening Ø mm	Total length mm	
23.656.18	8	130	
23.656.20	10	132	
23.656.21	14	134	
23.656.22	16	136	



BOLA Globe Stirrer Coupling made of POM plastics with compression fittings, handling without any tool. By turning the head the opening changes. Max. 1200 rpm.

Article No.	Opening Ø mm	Total length mm	
23.656.45	8 +10	190	



CAT Stirrer Motors



CAT R100 Series - high torque stirrer motors in four different executions for stirring volumes up to 200 liters of water.

CAT R20 - lightweight, maintenance-free stirrer motor for volumes up to 30 liters of water.

Article No.	Type	Engine output	Revolutions Rpm	Torque Ncm	Chuck mm	Weight kg
23.658.10	R20	60 W	50 - 2000	20	0.5 - 8	1.3
23.658.20	R100 SD	300 W	40 - 2000	100	1 - 10,5	5.0
23.658.30	R100 C	300 W	40 - 2000	150	1 - 10,5	5.0
23.658.40	R100 CL	300 W	30 - 1100	250	1 - 10,5	5.0
23.658.50	R100 CT	300 W	10 - 500	600	1 - 10,5	5.5



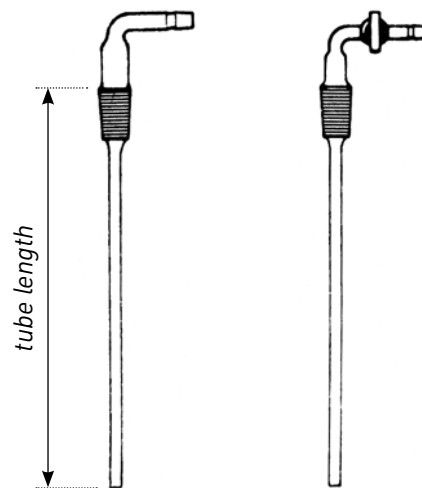
CAT stirrer motors stand out with an excellent price-performance ratio. Complete technical specifications you can find here: <http://www.cat-ing.de>

We also can offer stirrer motors from other manufacturers.

Gas Inlet Tubes & Vacuum Pieces

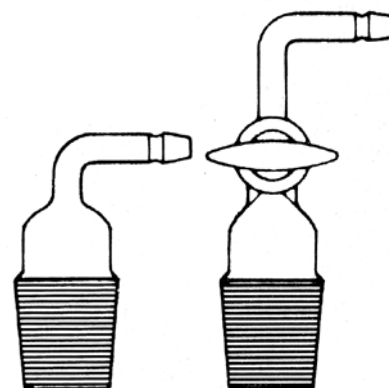
Gas Inlet Tubes, right angle bend, with hose nozzle and NS joint.
Available with or without tap (glass/PTFE).
Please indicate desired tube Length (as drawn).

Article No.	NS Joint Cone	Stopcock	
20.754.12	14/23	without	
20.754.40	29/32	without	
20.760.12	14/23	glass key, NS 14 / Bore 2.5	
20.760.40	29/32	glass key, NS 14 / Bore 2.5	
20.765.12	14/23	PTFE key, NS 14 / Bore 2.5	
20.765.40	29/32	PTFE key, NS 14 / Bore 2.5	



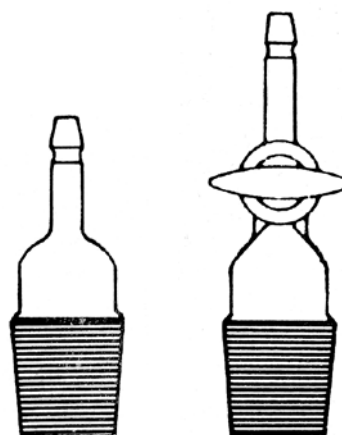
Vacuum Pieces Right Angle Bend, with hose nozzle and NS joint.
Available with or without tap (glass/PTFE).

Article No.	NS Joint Cone	Stopcock	
20.332.12	14/23	without	
20.332.40	29/32	without	
20.344.12	14/23	glass key, NS 14 / Bore 2.5	
20.344.40	29/32	glass key, NS 14 / Bore 2.5	
20.345.12	14/23	PTFE key, NS 14 / Bore 2.5	
20.345.40	29/32	PTFE key, NS 14 / Bore 2.5	
20.351.40	29/32	Produran valve 0 - 4 mm	



Vacuum Pieces Straight, with hose nozzle and NS joint.
Available with or without tap (glass/PTFE).

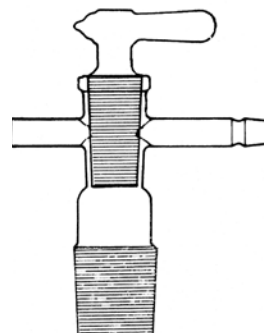
Article No.	NS Joint Cone	Stopcock	
20.330.12	14/23	without	
20.330.40	29/32	without	
20.342.12	14/23	glass key, NS 14 / Bore 2.5	
20.342.40	29/32	glass key, NS 14 / Bore 2.5	
20.343.12	14/23	PTFE key, NS 14 / Bore 2.5	
20.343.40	29/32	PTFE key, NS 14 / Bore 2.5	



Vacuum Piece with High Vacuum Stopcock

laterally hose nozzle

Article No.	NS Joint Cone	Stopcock	
20.350.12	14/23	glass key, borehole 6 mm	
20.350.40	29/32	glass key, borehole 6 mm	

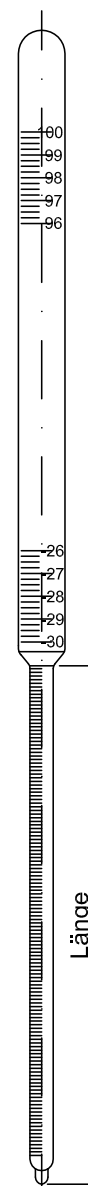


Alle articles are also available with NS-joint 19/26 or 24/29

Thermometer

ZRS-Thermometer, ZRS 8 mm, Subdivision 1°C

Article No.	Length mm	Measuring range	Filling	
40.100.15	150	-30 +150°C	Petroleum	
40.100.24	240	-30 +150°C	Petroleum	
40.100.33	330	-30 +150°C	Petroleum	
40.100.43	430	-30 +150°C	Petroleum	
40.100.60	600	-30 +150°C	Petroleum	
40.110.15	150	-30 +250°C	Isoamyl	
40.110.24	240	-30 +250°C	Isoamyl	
40.110.33	330	-30 +250°C	Isoamyl	
40.110.43	430	-30 +250°C	Isoamyl	
40.110.60	600	-30 +250°C	Isoamyl	
40.120.15	150	-30 +360°C	Mercury	
40.120.24	240	-30 +360°C	Mercury	
40.120.33	330	-30 +360°C	Mercury	
40.120.43	430	-30 +360°C	Mercury	
40.120.60	600	-30 +360°C	Mercury	
40.130.15	150	-100 +100°C	Toluol	
40.130.24	240	-100 +100°C	Toluol	
40.130.33	330	-100 +100°C	Toluol	
40.130.43	430	-100 +100°C	Toluol	
40.130.60	600	-100 +100°C	Toluol	



Temperature Probes

BOLA Temperature Probe - Lemo-Compact, PTFE

Thermocouple (PT 100) in a PTFE covered stainless steel tube.
 Probe Ø 8 mm, tip Ø 6 mm, collar ring Ø 12 mm. Connection by a coupling (type Lemo®, socket size 1, 4-pole) fixed directly at the end of the probe.
 Measuring range: -200°C to +250°C



Article No.	Model	Total Length	Usable Length
40.419.10	P 1730-10	150 mm	80 mm
40.419.20	P 1730-20	370 mm	300 mm
40.419.23	P 1730-23	470 mm	400 mm
40.419.25	P 1730-25	570 mm	500 mm

Probes made of stainless steel by request

Temperature Probe Pt-100 According to DIN, Made of Glass

Tube Ø 8 mm made of borosilicate glass, head with screw cap with integrated Lemo® socket. Probe and tube are exchangeable.
 Measuring range from -200°C to +400°C.

Article No.	Probe	Stock Length	Head
40.430.05	1 x Pt-100 2-Wire	150 mm	SVL 15
40.430.10	1 x Pt-100 2-Wire	240 mm	SVL 15
40.430.15	1 x Pt-100 2-Wire	330 mm	SVL 15
40.430.20	1 x Pt-100 2-Wire	430 mm	SVL 15
40.430.22	1 x Pt-100 2-Wire	600 mm	SVL 15
40.430.45	1 x Pt-100 4-Wire	150 mm	GL 18
40.430.50	1 x Pt-100 4-Wire	240 mm	GL 18
40.430.55	1 x Pt-100 4-Wire	330 mm	GL 18
40.430.60	1 x Pt-100 4-Wire	430 mm	GL 18
40.430.62	1 x Pt-100 4-Wire	600 mm	GL 18
40.430.65	2 x Pt-100 2-Wire	150 mm	GL 18
40.430.70	2 x Pt-100 2-Wire	240 mm	GL 18
40.430.75	2 x Pt-100 2-Wire	330 mm	GL 18
40.430.80	2 x Pt-100 2-Wire	430 mm	GL 18
40.430.82	2 x Pt-100 2-Wire	600 mm	GL 18



SVL 15

Lemo 2-Pol



GL 18

Lemo 4-Pol

Replacement Tubes for Pt-100 Probes

made of borosilicate glass. Please indicate desired stock Length

Article No.	Head Thread	Stock Length	
40.435.15	SVL 15	150 mm	
40.435.24	SVL 15	240 mm	
40.435.33	SVL 15	330 mm	
40.435.43	SVL 15	430 mm	
40.430.60	SVL 15	600 mm	
40.438.15	GL 18	150 mm	
40.438.24	GL 18	240 mm	
40.438.33	GL 18	330 mm	
40.438.43	GL 18	430 mm	
40.438.60	GL 18	600 mm	

black screw cap = SVL 15 (plug 2-pole)
 red screw cap = GL 18 (plug 4-pole)

Guide tubes with other head threads by request

Replacement Probes Pt-100 According to DIN

Please indicate desired wire length (150 / 240 / 330 / 430 / 600 mm).
 Measuring range from -200°C to +400°C.

Article No.	Probe Type	
40.440.10	1 x Pt-100 2-wire	
40.440.25	1 x Pt-100 4-wire	
40.440.40	2 x Pt-100 2-wire	

Portable Electronic Temperature Measuring Device TESTO 720

One channel meter for demanding temperature measurement in the laboratory, suitable for 1 x Pt-100 4-wire probes

Article No.	Measuring Range	
40.441.00	- 100 ...+ 800 °C	

Battery and calibration protocol are included.
 Input: Mini-DIN (use cable with LEMO - Mini-DIN plugs).

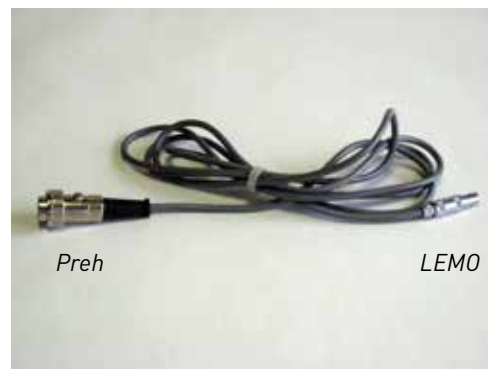


Probe Cables

Probe Cable for Pt-100

Cable length 200 cm, other length by request

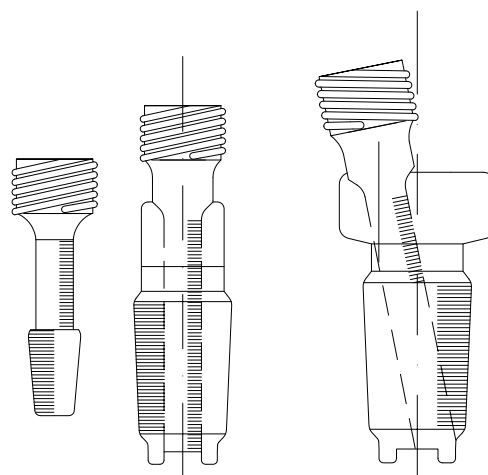
Article No.	Plug	for Probe Type	Poles
40.450.01	LEMO - none	1 x Pt-100 2-wire	2
40.450.05	LEMO - none	1 x Pt-100 4-wire	4
40.450.10	LEMO - none	2 x Pt-100 2-wire	4
40.455.01	LEMO - Preh	1 x Pt-100 2-wire	2
40.455.05	LEMO - Preh	1 x Pt-100 4-wire	4
40.455.10	LEMO - Preh	2 x Pt-100 2-wire	4
40.460.01	LEMO - LEMO	1 x Pt-100 2-wire	2
40.460.05	LEMO - LEMO	1 x Pt-100 4-wire	4
40.460.10	LEMO - LEMO	2 x Pt-100 2-wire	4
40.465.50	LEMO - Mini-DIN	1 x Pt-100 4-wire	4



Temperature/pH Probe Adapters

Temperature Probe Adapters Ø 8 mm (12 mm for pH probe)
for thermometers and probes; srew cap and joint are included

Art.Nr.	Ø mm	Form	NS	GL
23.682.12	8	straight	14	18
23.682.22	8	straight	19	18
23.682.32	8	straight	24	18
23.682.40	8	straight	29	18
23.682.45	12	straight	29	25
23.683.32	8	oblique	24	18
23.683.40	8	oblique	29	18



Probe adabter straight

Probe adabter EXZENTER oblique

Spare Parts

for temperature probe adapters

Art.Nr.	Artikel
12.255.18	Srew cap GL 18
12.255.25	Srew cap GL 25
12.263.08	Joint 16 x 8 mm
12.265.12	Joint 22 x 12 mm



Laboratory Racks

Table Racks for Reactors up to 5 Liters, Oblique Foot

made of anodized aluminium, tube Ø 34 mm made of stainless steel
2 cross connectors are included; height-adjustable feet

Article No.	Fits Reactor Holder		Dimensions w x h x d mm
	Material	DN	
50.000.11	Polyester	60 / 100 / 120	500 x 500 x 1300
50.000.16	Polyester	150	500 x 500 x 1300
50.000.21	Stainl. Steel	120 / 150	500 x 500 x 1300



Table Racks for Reactors up to 5 Liters, Straight Foot

completely made of stainless steel, tube Ø 34 mm
2 cross connectors are included; height-adjustable feet

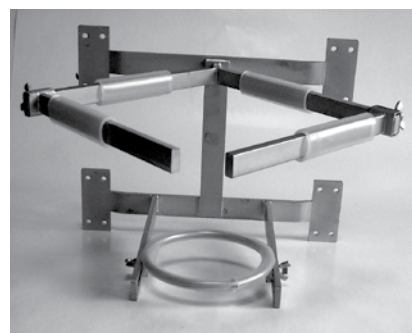
Article No.	Fits Reactor Holder		Dimensions w x h x d mm
	Material	DN	
50.075.10	Polyester	60 / 100 / 120	350 x 500 x 1300
50.075.45	Polyester	150	350 x 500 x 1300
50.075.55	Stainl. Steel	120 / 150	350 x 500 x 1300



Special Holder for Jacketed Reactors, Made of Stainless Steel

suitable for wall or rack mounting

Article No.	Fitting Reactors with Volume	Dimensions * w x h x d mm
17.910.15	1'000 ml	355 x 332 x 250
17.910.50	2'000 - 6000 ml	355 x 332 x 370
17.910.60	10'000 ml	355 x 332 x 400
17.910.65	15'000 ml	355 x 332 x 450
17.910.70	20'000 ml	355 x 332 x 450



* approximate mass

Floor Standing Rack for Reactors up to 20 Liters

fitting reactor holders made of polyester DN 150 reactor holders made of stainless steel DN 120 - 150; 1 cross connector is included. Strivings made of anodized aluminium, tube 1" (34 mm) made of stainless steel, height-adjustable feet.

Article No.	Execution of the stand system	Dimensions w x h x d mm	
50.100.20	Adjustable feet	450 x 500 x 1300	
50.100.21	Plastic rollers	450 x 500 x 1500	



Floor Standing Rack for Reactors up to 20 Liters

fitting reactor holders DN 150 (polyester and stainless steel) and DN 200 (stainless steel); cross connector is included. Completely made of stainless steel, tube 1" (34 mm), height-adjustable feet or plastic rollers.

Article No.	Execution of the stand system	Dimensions w x d x h mm	
50.090.10	DN 150 / Plastic rollers	700 x 600 x 1800	
50.090.11	DN 150 / Adjustable feet	700 x 600 x 1800	
50.090.15	DN 200 / Plastic rollers	700 x 600 x 1800	
50.090.16	DN 200 / Adjustable feet	700 x 600 x 1800	



other sizes by request

Floor Standing Rack for Reactors up to 20 Liters with two Stackers

fitting reactor holders DN 150 (polyester and stainless steel) and DN 200 (stainless steel); cross connector is included. Completely made of stainless steel, tube 1" (34 mm), height-adjustable feet or plastic rollers.

Article No.	Execution of the flange / stand system	Dimensions w x h x d mm	
50.080.10	DN 150 / Plastic rollers	700 x 690 x 1800	
50.080.11	DN 150 / Adjustable feet	700 x 690 x 1800	
50.080.15	DN 200 / Plastic rollers	700 x 690 x 1800	
50.080.16	DN 200 / Adjustable feet	700 x 690 x 1800	



All laboratory racks are also available with cross connectors fitting the **stirrer motors of the CAT 100-Series** (with 2 holders).

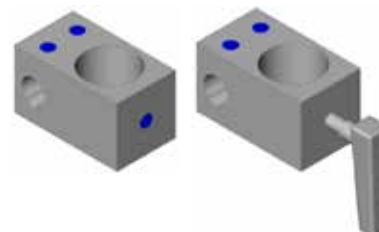
Cross Connector for CAT 100 Series Stirring Motors for 1 inch tubes

Article No.	Fixation	Ø1 mm	Ø2 mm	
50.010.40	Clamping screw	34	10 - 16	



Cross Connector Made of Anodized Aluminium for 1 inch tubes

Article No.	Fixation	Ø1 mm	Ø2 mm	
50.010.05	Allen Srew	34	10 - 16	
50.010.15	Clamping screw	34	10 - 16	



Cross Connector Made of Stainless Steel for 1 inch tubes

Article No.	Fixation	Ø1 mm	Ø2 mm	
50.120.15	Allen Srew	34	10 - 16	
50.120.20	Clamping screw	34	10 - 16	



Collecting Tray for Laboratory Rack made of stainless steel

Article No.	fits rack foot:	Volume l	Dimensions mm	
50.050.00	straight	6.5	400 x 280 x 70	
50.050.10	oblique	5.5	380 x 340 x 60	



Ground Rods for reactor holders

Article No.	Ø mm		
50.020.20	13	300	
50.020.25	13	490	
50.020.30	16	300	
50.020.35	16	490	
50.020.40	16	500	
50.020.45	16	550	

Supporting Ring silicone covered

Article No.	Ø mm	
50.050.50	13	
50.050.55	16	



Technical Information

DURAN® Borosilicate Glass 3.3

For the manufacturing of our products we usually use DURAN® borosilicate glass 3.3. (manufactured by SCHOTT Rohrglas). The properties of DURAN® can be found on the homepage of the Duran Group (www.duran-group.com) or that of SCHOTT (www.schott.com) under the search term DURAN.

Pressure / Vacuum / Temperature

Schmizo reactors are designed for unpressurized operation. The authorized operating overpressure is generally 0.1 bar (but is dependent on the volume and type of vessel). Processed glass components in all nominal widths can be used at maximum vacuum, only vessels with flat bottom are not suitable for operation under slight overpressure and vacuum.

The maximum short-term operating temperature of borosilicate glass is 500° C, the maximum temperature shock must not exceed 100 Kelvin. Reactors with bottom valves made of PTFE can be operated at maximum temperature of 210° C. For jacketed reactors the maximum temperature difference ΔT between the reaction chamber and the heating jacket is 40 Kelvin and the maximum overpressure inside the heating jacket is 0.5 bar.

Before any evacuation or pressure load, glass vessels must be subjected to a visual inspection for perfect condition. Damaged glass vessels should not be used to work with pressure and vacuum for safety reasons.

Coating of Glass Vessels

As splinter and leakage protection in case of glass breakage there are different kinds of coatings available. Gladly we make you a corresponding offer.

Special Designs

We are specialized in manufacturing customized system parts and can support you in development and realization with our specialist knowledge.

Glass Repairs


We perform all kinds of repairs if the defective component is made of borosilicate glass or quartz glass. In this case the breakage risk always remains by the contracting entity. For that we usually do not charge our costs in case of breakage.

Customer Service / Consultancy

We gladly stand at your disposal for a free consultation. Contact us by e-mail to info@schmizo.ch or by phone call to +41 (0)62 789 60 50.

Products & Services Overview

schmizo swiss scientific glass



REACTOR VESSELS & ACCESSORIES 2016

Our reactor catalogue features the SCHMIZO reactors manufactured in our workshop and, of course, everything else you need to assemble a complete reactor system.

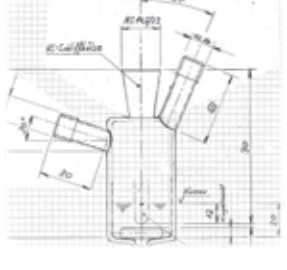
schmizo swiss scientific glass



Laboratory Glass
& Labware

Our laboratory glassware catalogue features the current standard products and equipment (trade goods and products made in-house). And, if you don't see what you need here, we can get it for you.


schmizo swiss scientific glass



Custom Products

We specialise in manufacturing custom products according to your specifications, even as one-offs. Our technical consultant will gladly assist you in planning your project.

schmizo swiss scientific glass




Repairs & Coatings

We perform glass repairs when they seem both reasonable and feasible. We also offer various coatings that protect against shattering and leaking in case of broken glassware.


Our Main Trading Partners

You can order these companies' products through Schmizo. We can also offer other brands if you wish.


Stirring Motors



Thermostats
high precision thermoregulation



Precision Balances



DURAN Laboratory Glass



Labware Made of PTFE, PFA and FEP



Labware Made of Stainless Steel

